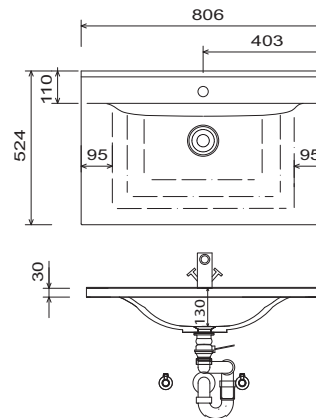
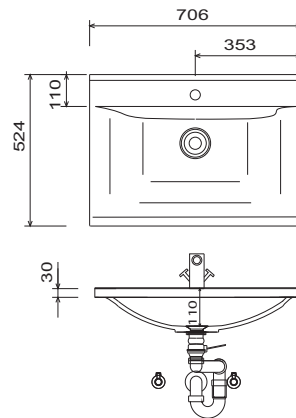
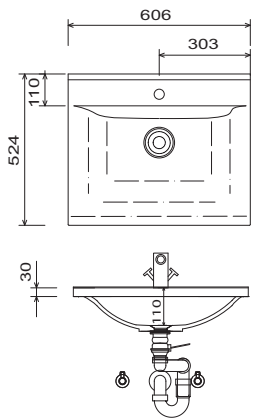


CONCEPT LINE Feo - dimensional drawings

WMS/SWM 9506

WMS/SWM 9507

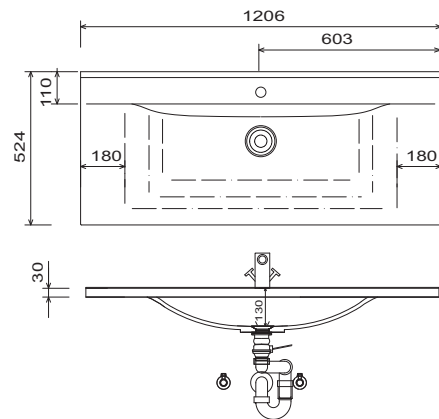
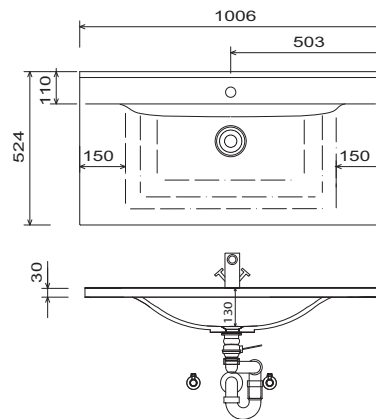
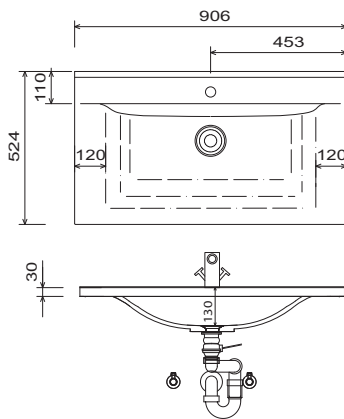
WMS/SWM 9508



WMS/SWM 9509

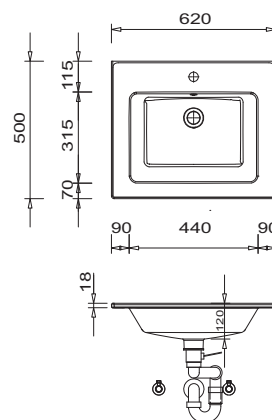
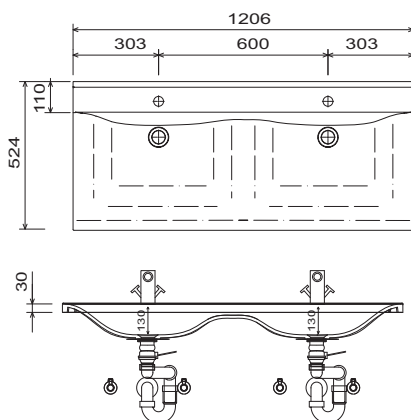
WMS/SWM 9510

WMS/SWM 9512



WMS/SWM 952D

WTM 4406 1



Washing stands without anchoring brackets have to be fixed on the wall and on the furniture-side with silicon!

STONEPLUS:

The water temperature must not exceed 55° C / 131° F. Hair tinting lotions have to be removed in a few seconds, so that staining can be avoided.

Modifications:

Technical modifications (+/- 5mm) and flatness modifications (DIN 18202) are subject of the usual material-specific modifications for construction materials, based on DIN 18202.

LEGEND

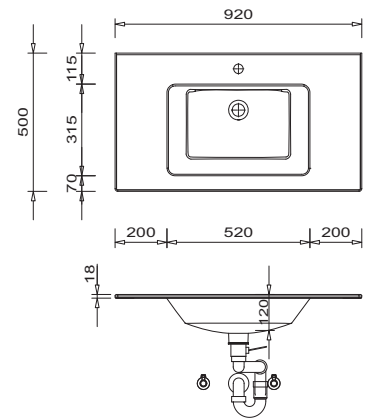
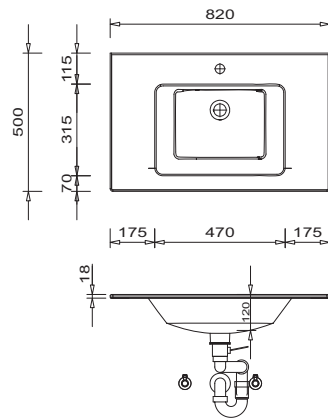
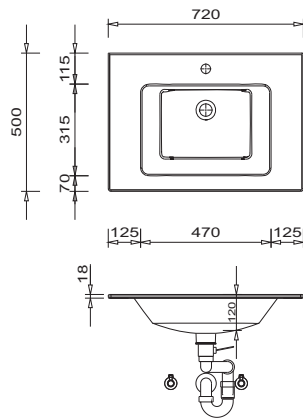
B = Width of Washbasin base units
X = Position wastewater connection

CONCEPT LINE Feo - dimensional drawings

WTM 4407 1

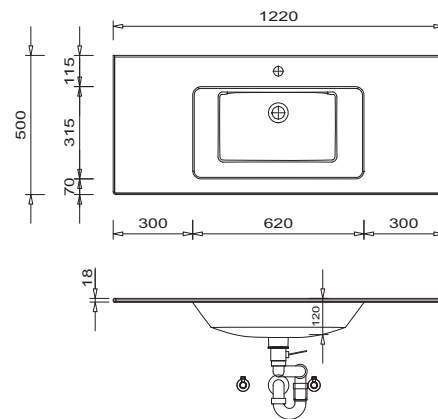
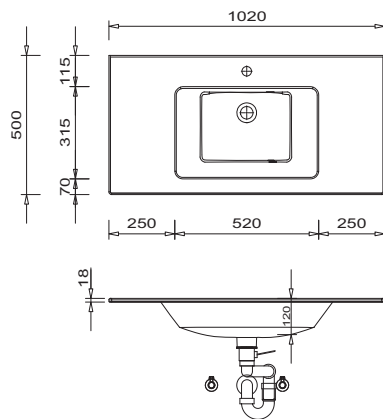
WTM 4408 1

WTM 4409 1



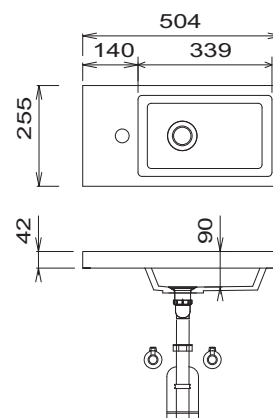
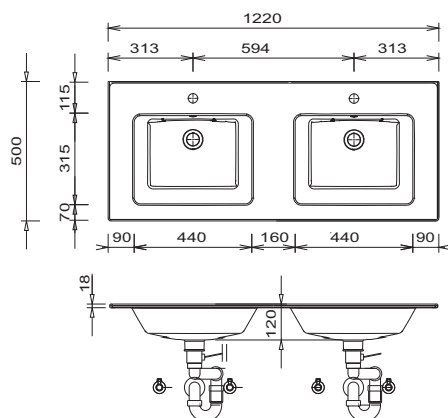
WTM 4410 1

WTM 4412 1



WTM 442D 1

SET FG5S 01
(Washbasin can be installed reversed)



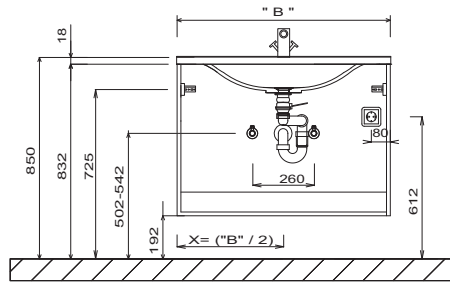
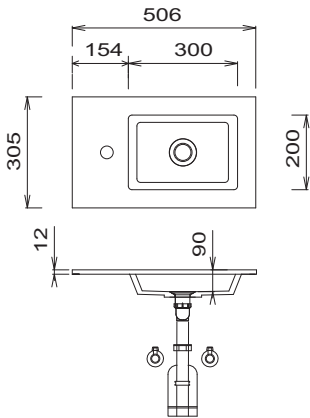
LEGEND
 B = Width of Washbasin base units
 X = Position wastewater connection

Washing stands without anchoring brackets have to be fixed on the wall and on the furniture-side with silicon!
STONEPLUS:
 The water temperature must not exceed 55° C / 131° F. Hair tinting lotions have to be removed in a few seconds, so that staining can be avoided.
 Modifications:
 Technical modifications (+/- 5mm) and flatness modifications (DIN 18202) are subject of the usual material-specific modifications for construction materials, based on DIN 18202.

CONCEPT LINE Feo - dimensional drawings

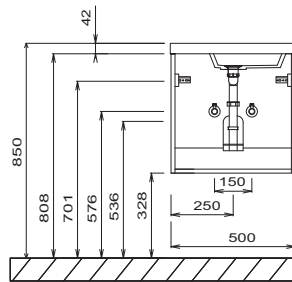
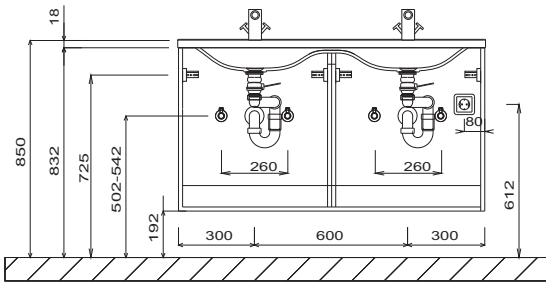
SET FG50 02
(Washbasin can be installed reversed)

Single washbasin
Washbasin height corresponds to the height of the ceramic washbasin



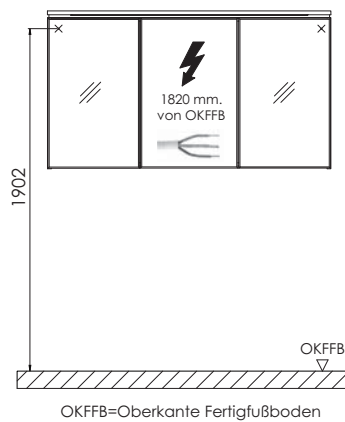
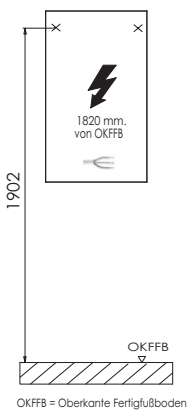
Double washbasin
Washbasin height corresponds to the height of the ceramic washbasin

GUEST BATHROOM (Washbasin can be installed reversed)
Washbasin height corresponds to the height of the Stoneplus washbasin



Mirror 400 mm

electrical connections for mirror cabinets



Washing stands without anchoring brackets have to be fixed on the wall and on the furniture-side with silicon!

STONEPLUS:

The water temperature must not exceed 55° C / 131° F. Hair tinting lotions have to be removed in a few seconds, so that staining can be avoided.

Modifications:

Technical modifications (+/- 5mm) and flatness modifications (DIN 18202) are subject of the usual material-specific modifications for construction materials, based on DIN 18202.

Fe.18

LEGEND

B = Width of Washbasin base units
X = Position wastewater connection