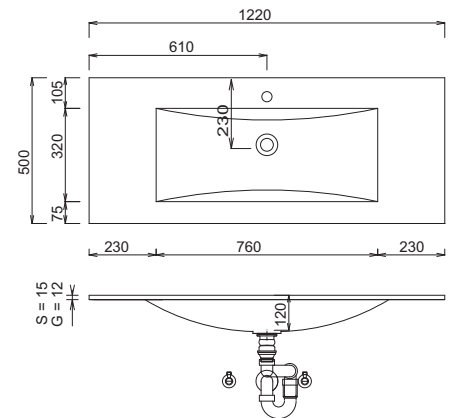
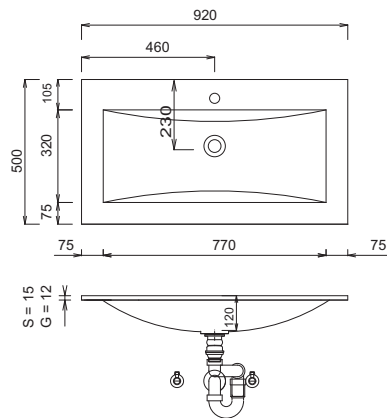
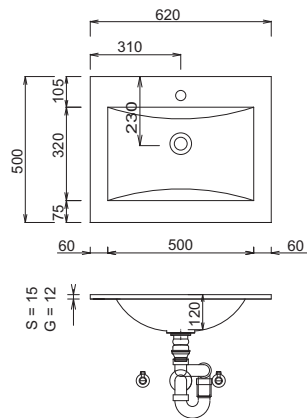


# CONCEPT LINE Life plus - dimensional drawings

WMS / SWG 5060

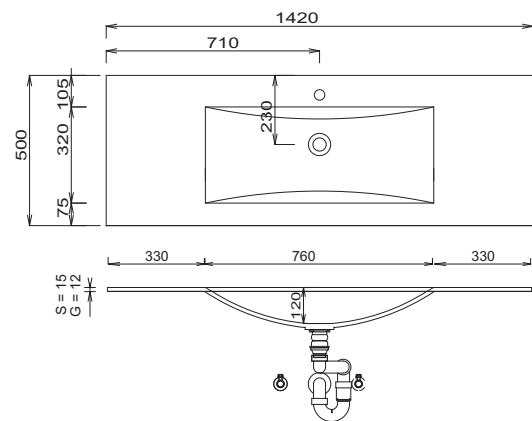
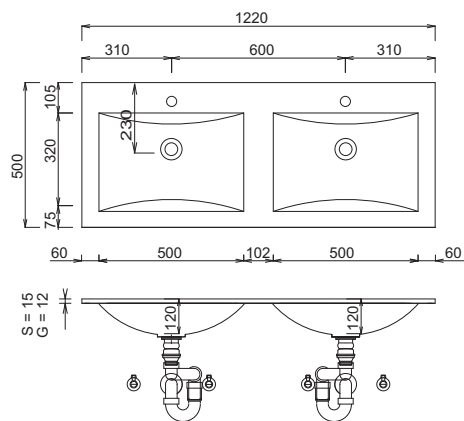
WMS / SWG 5090

WMS / SWG 5120



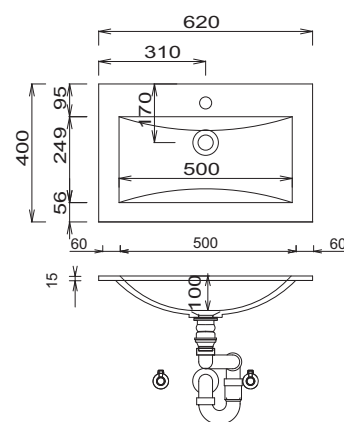
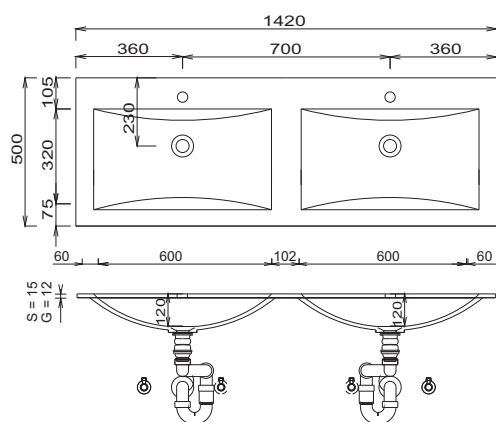
WMS / SWG 7120

WMS/SWG 5140



WMS/SWG 514D

WMS 4060 61 (reduced depth)



## LEGEND

S = STONEPLUS washbasin  
 G = Glass washbasin  
 B = Width of Washbasin base units  
 X = Position wastewater connection

**Washing stands without anchoring brackets have to be fixed on the wall and on the furniture-side with silicon!**

**STONEPLUS:**

The water temperature must not exceed 55° C / 131° F. Hair tinting lotions have to be removed in a few seconds, so that staining can be avoided.

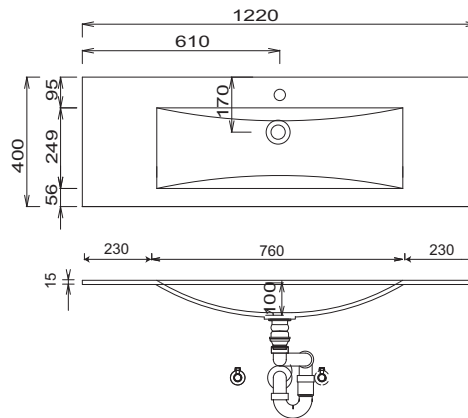
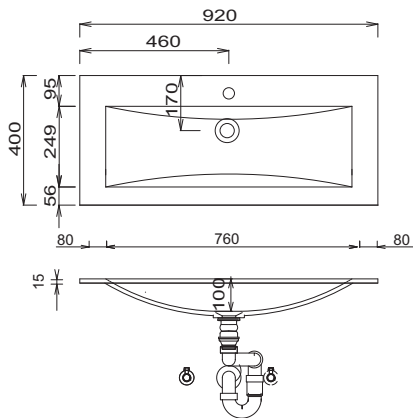
**Modifications:**

Technical modifications (+/- 5mm) and flatness modifications (DIN 18202) are subject of the usual material-specific modifications for construction materials, based on DIN 18202.

# CONCEPT LINE Life plus - dimensional drawings

WMS 4090 61 (reduced depth)

WMS 4120

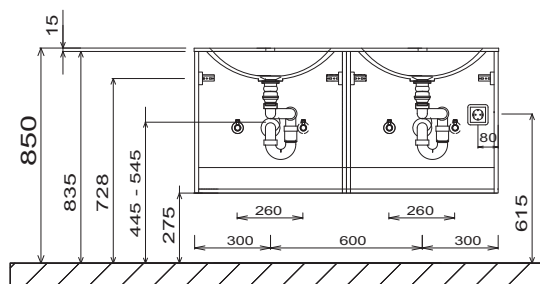
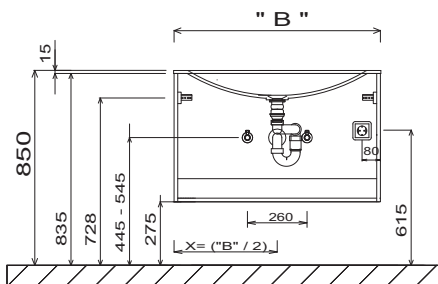


Single washbasin

Washbasin height corresponds to the height of the Stoneplus washbasin

Double washbasin 1200 mm

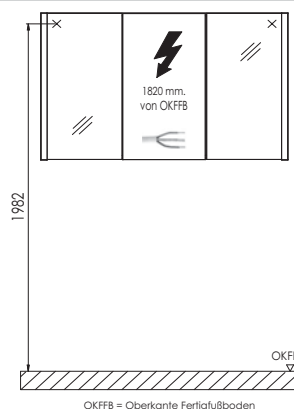
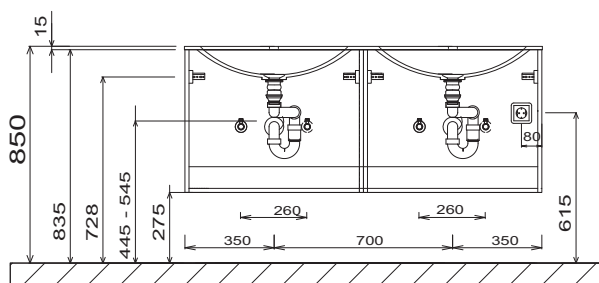
Washbasin height corresponds to the height of the Stoneplus washbasin



Double washbasin 1400 mm

Washbasin height corresponds to the height of the Stoneplus washbasin

electrical connections for mirror cabinets



**Washing stands without anchoring brackets have to be fixed on the wall and on the furniture-side with silicon!**

**STONEPLUS:**

The water temperature must not exceed 55° C / 131° F. Hair tinting lotions have to be removed in a few seconds, so that staining can be avoided.

**Modifications:**

Technical modifications (+/- 5mm) and flatness modifications (DIN 18202) are subject of the usual material-specific modifications for construction materials, based on DIN 18202.

**LEGEND**  
 S = STONEPLUS washbasin  
 G = Glass washbasin  
 B = Width of Washbasin base units  
 X = Position wastewater connection