

Delivery time: 4-6 weeks / special washbasins 8 weeks

# Life plus

program 502



## Front colours

**F** foiled front

**M** Melamine coated front with ABS-edge



No. 679 concrete imitation



No. 764 Stonegrey matt



No. 777 cosmos grey matt



No. 793 noble white matt



No. 891 quarz grey matt



No. 893 titanium grey matt



No. 686 anthracite hgl.



No. 722 polar white hgl.



No. 755 hacienda black



No. 769 hacienda grey

Expiry 12/2023



No. 639 Oak Black



no. 670 Halifax oak



no. 680 Charleston oak



No. 750 cardiff oak



no. 751 Cuneo oak brown



no. 771 Cuneo oak natural



no. 776 Charleston oak dark



Nr. 785 natural oak



no. 794 sand oak

## carcass colours

\* High gloss carcass for an additional price



No. 179  
concrete imitation



No. 164  
Stonegrey matt



No. 177  
cosmos grey matt



No. 111  
white matt



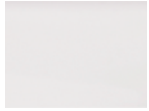
no. 191  
quarz grey matt



No. 193  
titanium grey matt



\*no. 121  
anthracite hgl.



\*no. 161  
white hgl.



no. 155  
hacienda black



no. 169  
hacienda grey  
Expiry 12/2023



No. 139 Oak Black



no. 170  
Halifax oak



no. 180  
Charleston oak



no. 150  
cardiff oak



no. 151  
Cuneo oak brown



no. 171 Cuneo  
oak natural



no. 176  
Charleston oak dark



Nr. 185  
natural oak



no. 194  
sand oak

## Washbasin colours

STONEPLUS washbasins



No. 61  
white **STONEPLUS**

Glass washbasin



no. 82  
optiwhite



no. 92  
optiwhite matt

## Handle versions

Standard handle



no. 596 bar handle chrom

Optional handles



No. 529  
Strip handle chrome



no. 538  
Strip handle aluminium  
matt



No. 539  
Strip handle black matt

## pull-out element

Pull out with premium soft close

door with integrated buffered closing

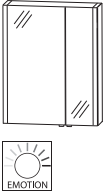
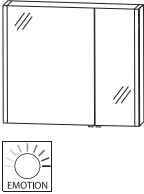
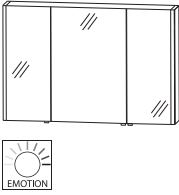
Illustrations and specifications are without obligation. Technical modifications reserved.

2023/2024

Please note the instruction for warranty, mounting and care, and the quality agreements as well, at the beginning of the book.

# CONCEPT LINE Life plus - model list

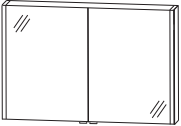

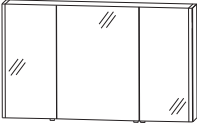

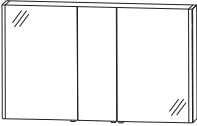

## Additional units and accessories - see separate chapter

Depth indication corresponds to the carcass depth	Depth in mm	Width in mm	Height in mm	Article number	Hinge	Surcharge high-gloss carcass
 <p>III. = left</p> <p><b>mirror cabinet</b>            2 double mirror doors, 2 glass shelves            2 LED light profiles            2 X 12,4 watt / Converter 60 watt            2 x 1017 lumens / 2700 - 6500 Kelvin            1 sensor switcher to control cold white and warm white with 3 dimming levels            1 switch socket element            This product contains a light source with energy efficiency class: F  <b>600 mm wide</b>            wider door left            L: 374 mm R: 188 mm</p> <p><b>600 mm wide</b>            wider door right            R: 374 mm L: 188 mm</p> <p>Additional accessories            lighting element 500 mm            LED washbasin lighting emotion            further sockets possible - see accessories</p>	150	600	800	<b>S 2 A 5 4 6 L 0 5</b>  <b>S 2 A 5 4 6 R 0 5</b>  PZ 1 5 0 3 5 0 PZ 1 1 5 0 6 0		
 <p>III. = left</p> <p><b>mirror cabinet</b>            2 double mirror doors, 2 glass shelves            1 switch socket element            2 LED light profiles            2 X 12,4 watt / Converter 60 watt            2 x 1017 lumens / 2700 - 6500 Kelvin            1 sensor switcher to control cold white and warm white with 3 dimming levels            This product contains a light source with energy efficiency class: F  <b>900 mm wide</b>            wider door left            L: 580 mm R: 280 mm</p> <p><b>900 mm wide</b>            wider door right            R: 580 mm L: 280 mm</p> <p>Additional accessories            lighting element 800 mm            LED washbasin lighting emotion            further sockets possible - see accessories</p>	150	900	800	<b>S 2 A 5 4 9 L 0 5</b>  <b>S 2 A 5 4 9 R 0 5</b>  PZ 1 5 0 3 8 0 PZ 1 1 5 0 9 0		
 <p>III. = left</p> <p><b>mirror cabinet</b>            3 double mirror doors            2 central partitions, 6 glass shelves            1 switch socket element            2 LED light profiles            2 X 12,4 watt / Converter 60 watt            2 x 1017 lumens / 2700 - 6500 Kelvin            1 sensor switcher to control cold white and warm white with 3 dimming levels            This product contains a light source with energy efficiency class: F  <b>1200 mm wide</b>            L: 374 mm M: 412 mm R: 374 mm</p> <p>Additional accessories            lighting element 800 mm            LED washbasin lighting emotion            further sockets possible - see accessories</p>	150	1200	800	<b>S 2 A 5 4 1 2 0 6</b>  PZ 1 5 0 3 8 0 PZ 1 1 5 0 1 2		

Please observe the product details of the accessories in the separate index.

# CONCEPT LINE Life plus - model list







Additional units and accessories - see separate chapter

Depth indication corresponds to the carcass depth	Depth in mm	Width in mm	Height in mm	Article number	Hinge	Surcharge high-gloss carcass
  <p><b>mirror cabinet</b>            2 double mirror doors            1 central partition            4 glass shelves            1 switch socket element            2 LED light profiles            2 X 12,4 watt / Converter 60 watt            2 x 1017 lumens / 2700 - 6500 Kelvin            1 sensor switcher to control cold white and warm white with 3 dimming levels            for double washbasin solutions            This product contains a light source with energy efficiency class: F  <b>1200 mm wide</b>            L: 580 mm R: 580 mm            for double washbasin solutions</p> <p>Additional accessories            lighting element 800 mm            LED washbasin lighting emotion            further sockets possible - see accessories</p>	150	1200	800	<b>S 2 A 5 4 1 2 0 5</b>  P Z 1 5 0 3 8 0 P Z 1 1 5 0 1 2		
  <p><b>mirror cabinet</b>            2 central partitions,            3 double mirror doors            6 glass shelves            1 switch socket element            2 LED light profiles            2 X 12,4 watt / Converter 60 watt            2 x 1017 lumens / 2700 - 6500 Kelvin            1 sensor switcher to control cold white and warm white with 3 dimming levels            This product contains a light source with energy efficiency class: F  <b>1400 mm wide</b>            L: 424 mm M: 512 mm R: 424 mm</p> <p>Additional accessories            lighting element 800 mm            LED washbasin lighting emotion            further sockets possible - see accessories</p>	150	1400	800	<b>S 2 A 5 4 1 4 0 6</b>  P Z 1 5 0 3 8 0 P Z 1 1 5 0 1 2		
  <p><b>mirror cabinet</b>            2 central partitions,            3 double mirror doors            6 glass shelves            1 switch socket element            2 LED light profiles            2 X 12,4 watt / Converter 60 watt            2 x 1017 lumens / 2700 - 6500 Kelvin            1 sensor switcher to control cold white and warm white with 3 dimming levels            for double washbasin solutions            This product contains a light source with energy efficiency class: F  <b>1400 mm wide</b>            for double washbasin solutions            L: 580 mm M: 196 mm R: 580 mm</p> <p>Additional accessories            lighting element 800 mm            LED washbasin lighting emotion            further sockets possible - see accessories</p>	150	1400	800	<b>S 2 A 5 4 1 4 0 5</b>  P Z 1 5 0 3 8 0 P Z 1 1 5 0 1 2		

Please observe the product details of the accessories in the separate index.

# CONCEPT LINE Life plus - model list







## Additional units and accessories - see separate chapter

Depth indication corresponds to the carcass depth		Depth in mm	Width in mm	Height in mm	Article number	Hinge	Surchar- ge high- gloss carcass
<b>Washbasins</b>							
 	<b>washbasin 600 mm</b> incl. CLOU drain and overflow system in chrome can be combined with WUA 4860 01						
	<b>STONEPLUS - washbasin white</b>	500	620	15	<b>WMS 5 0 6 0 6 1</b>		
	<b>Glass washbasin optiwhite</b>	500	620	12	<b>SWG 5 0 6 0 8 2</b>		
	<b>Glass washbasin optiwhite matt</b>	500	620	12	<b>SWG 5 0 6 0 9 2</b>		
Additional accessories Neutrally bonding silicone for glass washbasins LED lighting frame 600 mm motion sensor for LED lighting Surcharge for washbasins without tap-hole or with 3 holes (according to sketch)					PZ 1 2 3 5 PZ 1 0 6 1 60 PZ 1 1 4 1		
LED lighting frame can not be combined with glass washbasins.							
 	<b>washbasin 900 mm</b> incl. CLOU drain and overflow system in chrome can be combined with WUA 4890 01						
	<b>STONEPLUS - washbasin white</b>	500	920	15	<b>WMS 5 0 9 0 6 1</b>		
	<b>Glass washbasin optiwhite</b>	500	920	12	<b>SWG 5 0 9 0 8 2</b>		
	<b>Glass washbasin optiwhite matt</b>	500	920	12	<b>SWG 5 0 9 0 9 2</b>		
Additional accessories Neutrally bonding silicone for glass washbasins LED lighting frame 900 mm motion sensor for LED lighting Surcharge for washbasins without tap-hole or with 3 holes (according to sketch)					PZ 1 2 3 5 PZ 1 0 6 1 90 PZ 1 1 4 1		
LED lighting frame can not be combined with glass washbasins.							
 	<b>washbasin 1200 mm</b> incl. CLOU drain and overflow system in chrome can be combined with WUA 4812 01						
	<b>STONEPLUS - washbasin white</b>	500	1220	15	<b>WMS 5 1 2 0 6 1</b>		
	<b>Glass washbasin optiwhite</b>	500	1220	12	<b>SWG 5 1 2 0 8 2</b>		
	<b>Glass washbasin optiwhite matt</b>	500	1220	12	<b>SWG 5 1 2 0 9 2</b>		
Additional accessories Neutrally bonding silicone for glass washbasins LED lighting frame 1200 mm motion sensor for LED lighting Surcharge for washbasins without tap-hole or with 3 holes (according to sketch)					PZ 1 2 3 5 PZ 1 0 6 1 12 PZ 1 1 4 1		
LED lighting frame can not be combined with glass washbasins.							

\*Delivery time: 8 weeks. Price per washbasin. Washbasin without tap hole is incompatible with CLOU System. Please check your order confirmation for correctness.

# CONCEPT LINE Life plus - model list

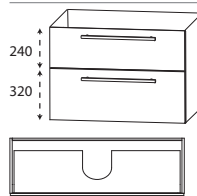
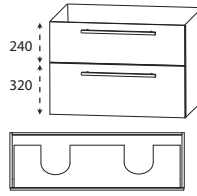
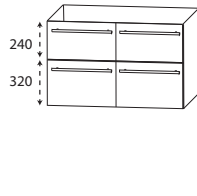
Additional units and accessories - see separate chapter

Depth indication corresponds to the carcass depth	Depth in mm	Width in mm	Height in mm	Article number	Hinge	Surcharge high-gloss carcass
 <p><b>Double washbasin 1200 mm</b> incl. 2 CLOU drain and overflow systems in chrome can be combined with WUA 4812 02, WUA 4812 D1</p>  <p><b>STONEPLUS - washbasin white</b></p> <p><b>Glass washbasin optiwhite</b></p> <p><b>Glass washbasin optiwhite matt</b></p> <p>Additional accessories Neutrally bonding silicone for glass washbasins LED lighting frame 1200 mm motion sensor for LED lighting Surcharge for washbasins without tap-hole or with 3 holes (according to sketch)</p> <p>LED lighting frame can not be combined with glass washbasins.</p>				<p><b>WMS 7 1 2 0 6 1</b></p> <p><b>SWG 7 1 2 0 8 2</b></p> <p><b>SWG 7 1 2 0 9 2</b></p> <p>P Z 1 2 3 5 P Z 1 0 6 1 1 2 P Z 1 1 4 1</p>		
 <p><b>washbasin 1400 mm</b> incl. CLOU drain and overflow system in chrome can be combined with WUA 4814 01</p>  <p><b>STONEPLUS - washbasin white</b></p> <p><b>Glass washbasin optiwhite</b></p> <p><b>Glass washbasin optiwhite matt</b></p> <p>Additional accessories Neutrally bonding silicone for glass washbasins LED lighting frame 1400 mm motion sensor for LED lighting Surcharge for washbasins without tap-hole or with 3 holes (according to sketch)</p> <p>LED lighting frame can not be combined with glass washbasins.</p>				<p><b>WMS 5 1 4 0 6 1</b></p> <p><b>SWG 5 1 4 0 8 2</b></p> <p><b>SWG 5 1 4 0 9 2</b></p> <p>P Z 1 2 3 5 P Z 1 0 6 1 1 4 P Z 1 1 4 1</p>		
 <p><b>Double washbasin 1400 mm</b> incl. 2 CLOU drain and overflow systems in chrome can be combined with WUA 4814 02, WUA 4814 D1</p>  <p><b>STONEPLUS - washbasin white</b></p> <p><b>Glass washbasin optiwhite</b></p> <p><b>Glass washbasin optiwhite matt</b></p> <p>Additional accessories Neutrally bonding silicone for glass washbasins LED lighting frame 1400 mm motion sensor for LED lighting Surcharge for washbasins without tap-hole or with 3 holes (according to sketch)</p> <p>LED lighting frame can not be combined with glass washbasins.</p>				<p><b>WMS 5 1 4 D 6 1</b></p> <p><b>SWG 5 1 4 D 8 2</b></p> <p><b>SWG 5 1 4 D 9 2</b></p> <p>P Z 1 2 3 5 P Z 1 0 6 1 1 4 P Z 1 1 4 1</p>		

\*Delivery time: 8 weeks. Price per washbasin. Washbasin without tap hole is incompatible with CLOU System. Please check your order confirmation for correctness.

# CONCEPT LINE Life plus - model list




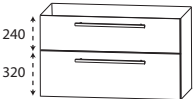
## Additional units and accessories - see separate chapter

Depth indication corresponds to the carcass depth	Depth in mm	Width in mm	Height in mm	Article number	Hinge	Surcharge high-gloss carcass
<b>Washbasin base units</b>						
 <p><b>Washbasin base unit for single washbasin solution</b></p> <p>1 metal pull out unit with buffered closing 1 aluminium-coloured plastic insert 1 metal pull-out with buffered closing incl. drawer rail</p> <p><b>600 mm wide</b> <b>900 mm wide</b> <b>1200 mm wide</b> <b>1400 mm wide</b></p> <p>Additional accessories socket element Space-saving drain stench trap DN 40 Space-saving drain stench trap DN 32</p>				<p><b>W U A 4 8 6 0 0 1</b> <b>W U A 4 8 9 0 0 1</b> <b>W U A 4 8 1 2 0 1</b> <b>W U A 4 8 1 4 0 1</b></p> <p>P Z 1 0 9 5 P Z 1 3 6 7 P Z 1 4 2 3</p>		
 <p><b>Washbasin base unit for double washbasin solutions</b></p> <p>1 metal pull out unit with buffered closing 2 aluminium-coloured plastic inserts 1 metal pull-out with buffered closing incl. drawer rail</p> <p><b>1200 mm wide</b> <b>1400 mm wide</b></p> <p>Additional accessories socket element Space-saving drain stench trap DN 40 (order 2 pieces) Space-saving drain stench trap DN 32 (order 2 pieces)</p>				<p><b>W U A 4 8 1 2 0 2</b> <b>W U A 4 8 1 4 0 2</b></p> <p>P Z 1 0 9 5 P Z 1 3 6 7 P Z 1 4 2 3</p>		
 <p><b>Washbasin base unit for double washbasin solutions</b></p> <p>2 metal pull out units with buffered closing and syphon cut-out 2 metal pull outs with buffered closing and rail</p> <p><b>1200 mm wide</b> incl. 2 aluminium-coloured plastic inserts <b>1400 mm wide</b></p> <p>Additional accessories socket element Space-saving drain stench trap DN 40 (order 2 pieces) Space-saving drain stench trap DN 32 (order 2 pieces)</p>				<p><b>W U A 4 8 1 2 D 1</b> <b>W U A 4 8 1 4 D 1</b></p> <p>P Z 1 0 9 5 P Z 1 3 6 7 P Z 1 4 2 3</p>		

Please observe the product details of the accessories in the separate index.

# CONCEPT LINE Life plus GUEST BATHROOM - model list


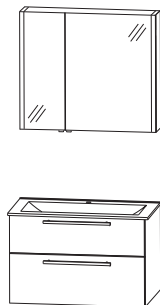
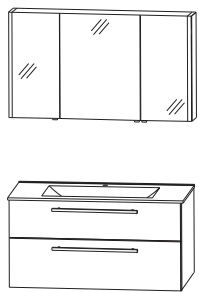
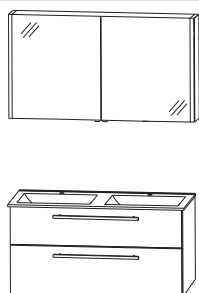
Additional units and accessories - see separate chapter

	Depth in mm	Width in mm	Height in mm	Article number	Hinge	Surcharge high-gloss carcass
Depth indication corresponds to the carcass depth						
<b>STONEPLUS washbasins</b>						
<b>reduced depth</b>						
 reduced depth	400	620	15	<b>WMS 4 0 6 0 6 1</b>		
<b>STONEPLUS washbasin, 600 mm</b> colour white incl. CLOU drain and overflow system in chrome  can be combined with WUA 4860 03  Additional accessories Surcharge for washbasins without tap-hole or with 3 holes (according to sketch)						
 reduced depth	400	920	15	<b>WMS 4 0 9 0 6 1</b>		
<b>STONEPLUS washbasin, 900 mm</b> colour white incl. CLOU drain and overflow system in chrome  can be combined with WUA 4890 03  Additional accessories Surcharge for washbasins without tap-hole or with 3 holes (according to sketch)						
 reduced depth	400	1220	15	<b>WMS 4 1 2 0 6 1</b>		
<b>STONEPLUS washbasin, 1.200 mm</b> colour white incl. CLOU drain and overflow system in chrome  can be combined with WUA 4812 03  Additional accessories Additional price for Washbasin without tap hole / with 3 holes (acc. to sketch).						
<b>Washbasin base units reduced depth</b>						
 reduced depth						
<b>Washbasin base unit</b> 1 metal pull out unit with buffered closing 1 metal pull-out with buffered closing incl. drawer rail						
<b>600 mm wide</b>	370	600	560	<b>WUA 4 8 6 0 0 3</b>		
<b>900 mm wide</b>	370	900	560	<b>WUA 4 8 9 0 0 3</b>		
<b>1200 mm wide</b>	370	1200	560	<b>WUA 4 8 1 2 0 3</b>		
Additional accessories						
socket element				P Z	1 0 9 5	
Space-saving drain stench trap DN 40				P Z	1 3 6 7	
Space-saving drain stench trap DN 32				P Z	1 4 2 3	

\*Delivery time: 8 weeks. Price per washbasin. Washbasin without tap hole is incompatible with CLOU System. Please check your order confirmation for correctness.



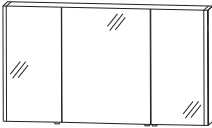
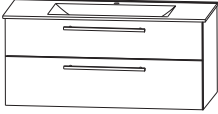
# CONCEPT LINE Life plus - bathroom variations

<b>LPS-0160-1</b>				600 mm wide III. = S2A546R05 (wide door right)
1	mirror cabinet wider door right	S 2 A 5 4 6 R 0 5		
1	STONEPLUS - washbasin	W M S 5 0 6 0 6 1		
1	Washbasin base unit	W U A 4 8 6 0 0 1		
		Sum		
L P G 8 2 6 0 1	SWG 5060 82 glass optiwhte inst. STONEPLUS	Sum		
L P G 9 2 6 0 1	SWG 5060 92 glass optiwhte matt inst. Stoneplus	Sum		
		Surcharge high-gloss carcass		
<b>LPS-0190-1</b>				900 mm wide III. = S2A549R05 (wide door right)
1	mirror cabinet wider door right	S 2 A 5 4 9 R 0 5		
1	STONEPLUS - washbasin	W M S 5 0 9 0 6 1		
1	Washbasin base unit	W U A 4 8 9 0 0 1		
		Sum		
L P G 8 2 9 0 1	SWG 5090 82 glass optiwhte inst. STONEPLUS	Sum		
L P G 9 2 9 0 1	SWG 5090 92 glass optiwhte matt inst. Stoneplus	Sum		
		Surcharge high-gloss carcass		
<b>LPS-0112-1</b>				1200 mm wide
1	Mirror cabinet, 1200 mm	S 2 A 5 4 1 2 0 6		
1	STONEPLUS - washbasin	W M S 5 1 2 0 6 1		
1	Washbasin base unit	W U A 4 8 1 2 0 1		
		Sum		
L P G 8 2 1 2 1	SWG 5120 82 glass optiwhte inst. STONEPLUS	Sum		
L P G 9 2 1 2 1	SWG 5120 92 glass optiwhte matt inst. STONEPLUS	Sum		
		Surcharge high-gloss carcass		
<b>LPS-0112-D1</b>				1200 mm wide
1	Mirror cabinet, 1200 mm	S 2 A 5 4 1 2 0 5		
1	STONEPLUS double washbasin	W M S 7 1 2 0 6 1		
1	Washbasin base unit	W U A 4 8 1 2 0 2		
		Sum		
L P G 8 2 1 2 D 1	SWG 7120 82 glass optiwhte inst. STONEPLUS	Sum		
L P G 9 2 1 2 D 1	SWG 7120 92 glass optiwhte matt inst. Stoneplus	Sum		
		Surcharge high-gloss carcass		

Please observe a matching space-saving drain stench trap in the separate index accessories.

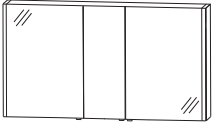
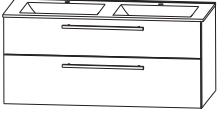
# CONCEPT LINE Life plus - bathroom variations

LPS-0114-1			
1	Mirror cabinet, 1400 mm	S 2 A 5 4 1 4 0 6	
1	STONEPLUS - washbasin	W M S 5 1 4 0 6 1	
1	Washbasin base unit	W U A 4 8 1 4 0 1	
			Sum
L P G 8 2 1 4 1	SWG 5140 82 glass optiwhte inst. Stoneplus		Sum
L P G 9 2 1 4 1	SWG 5140 92 glass optiwhte matt inst. Stoneplus		Sum
Surcharge high-gloss carcass			

1400 mm wide

LPS-0114-D1			
1	Mirror cabinet, 1400 mm	S 2 A 5 4 1 4 0 5	
1	STONEPLUS double washbasin	W M S 5 1 4 D 6 1	
1	Washbasin base unit	W U A 4 8 1 4 0 2	
			Sum
L P G 8 2 1 4 D 1	SWG 514D 82 glass optiwhte inst. STONEPLUS		Sum
L P G 9 2 1 4 D 1	SWG 514D 92 glass optiwhte matt inst. Stoneplus		Sum
Surcharge high-gloss carcass			

1400 mm wide

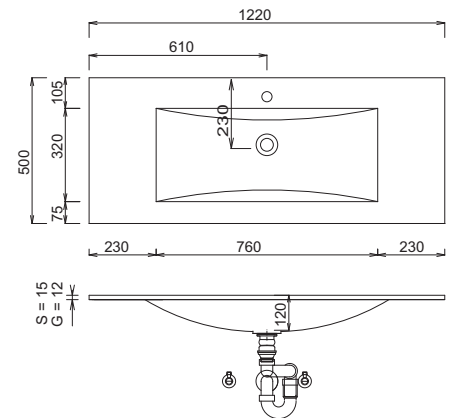
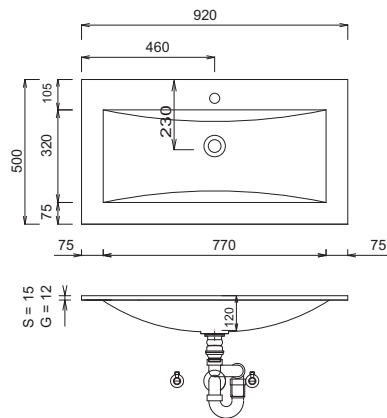
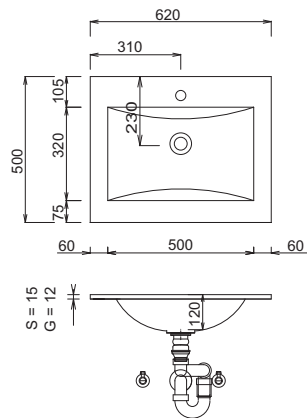
Please observe a matching space-saving drain stench trap in the separate index accessories.

# CONCEPT LINE Life plus - dimensional drawings

WMS / SWG 5060

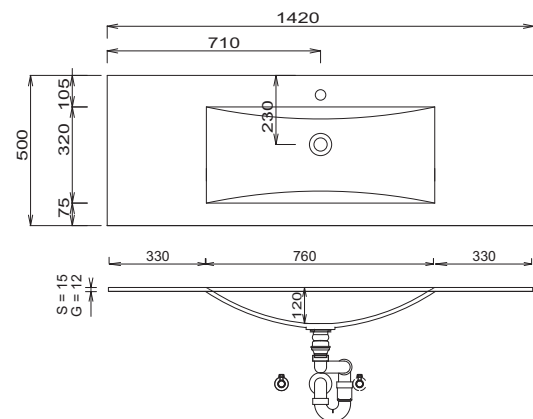
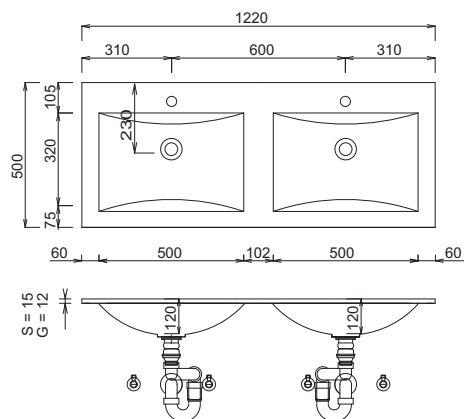
WMS / SWG 5090

WMS / SWG 5120



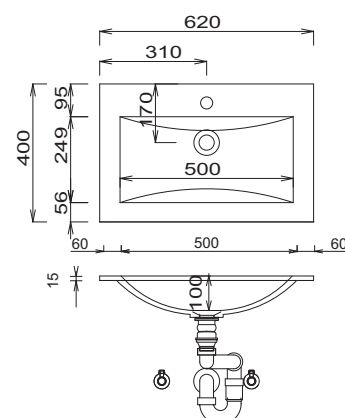
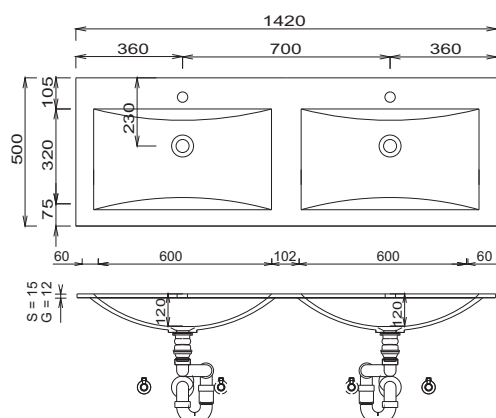
WMS / SWG 7120

WMS/SWG 5140



WMS/SWG 514D

WMS 4060 61 (reduced depth)



## LEGEND

S = STONEPLUS washbasin  
G = Glass washbasin  
B = Width of Washbasin base units  
X = Position wastewater connection

**Washing stands without anchoring brackets have to be fixed on the wall and on the furniture-side with silicon!**

**STONEPLUS:**

The water temperature must not exceed 55° C / 131° F. Hair tinting lotions have to be removed in a few seconds, so that staining can be avoided.

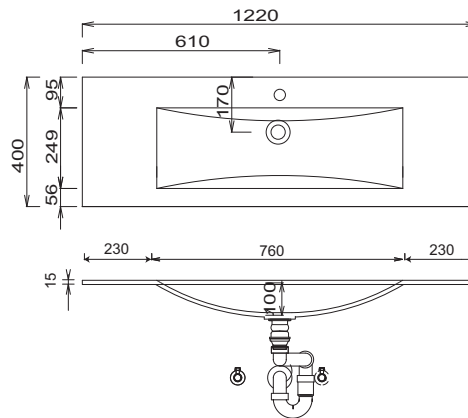
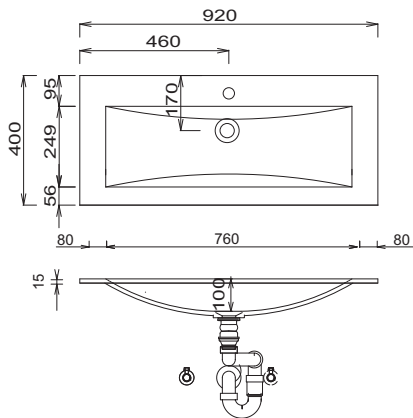
**Modifications:**

Technical modifications (+/- 5mm) and flatness modifications (DIN 18202) are subject of the usual material-specific modifications for construction materials, based on DIN 18202.

# CONCEPT LINE Life plus - dimensional drawings

WMS 4090 61 (reduced depth)

WMS 4120

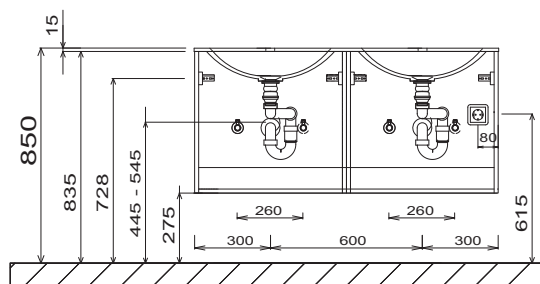
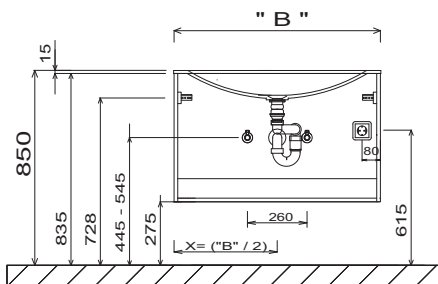


Single washbasin

Washbasin height corresponds to the height of the Stoneplus washbasin

Double washbasin 1200 mm

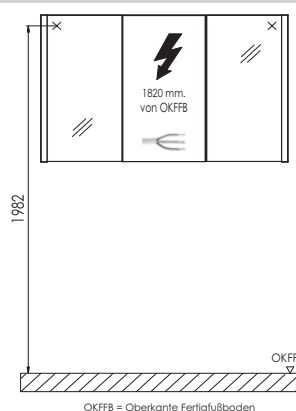
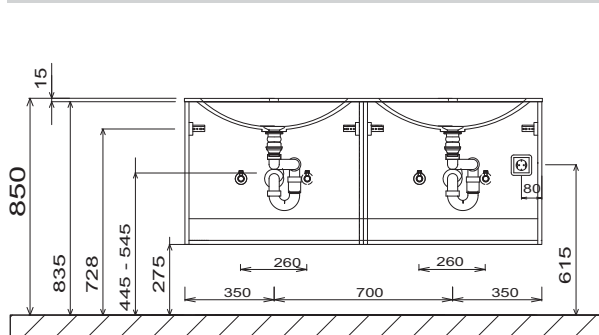
Washbasin height corresponds to the height of the Stoneplus washbasin



Double washbasin 1400 mm

Washbasin height corresponds to the height of the Stoneplus washbasin

electrical connections for mirror cabinets



**Washing stands without anchoring brackets have to be fixed on the wall and on the furniture-side with silicon!**

**STONEPLUS:**

The water temperature must not exceed 55° C / 131° F. Hair tinting lotions have to be removed in a few seconds, so that staining can be avoided.

**Modifications:**

Technical modifications (+/- 5mm) and flatness modifications (DIN 18202) are subject of the usual material-specific modifications for construction materials, based on DIN 18202.

**LEGEND**

- S = STONEPLUS washbasin
- G = Glass washbasin
- B = Width of Washbasin base units
- X = Position wastewater connection