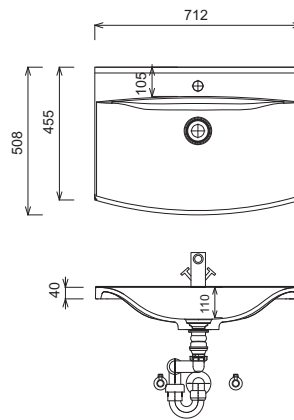
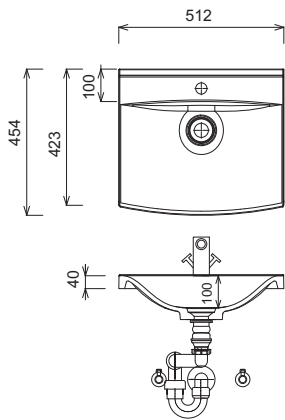


CONCEPT LINE Loft - dimensional drawings

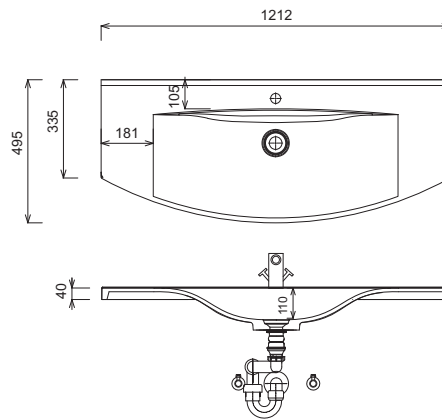
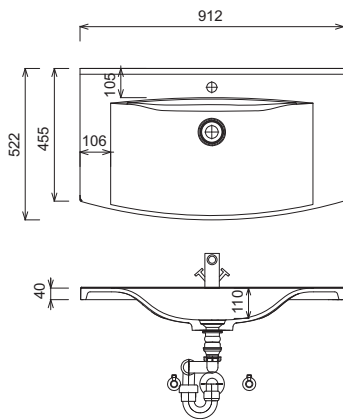
WMS / SWM 8205 out of SET FG50 04/B4

WMS / SWM 8207



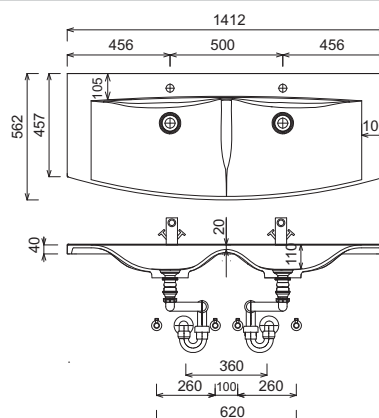
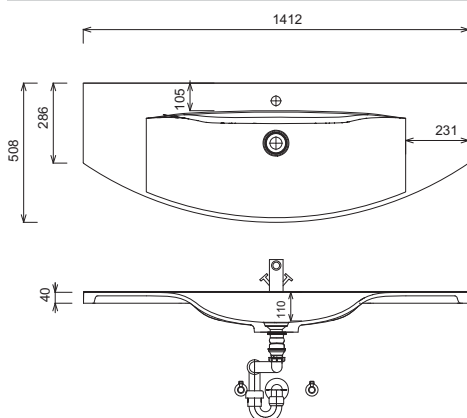
WMS / SWM 8209

WMS / SWM 8220



WMS / SWM 8240

WMS / SWM 824D



Washing stands without anchoring brackets have to be fixed on the wall and on the furniture-side with silicon!

STONEPLUS:

The water temperature must not exceed 55° C / 131° F. Hair tinting lotions have to be removed in a few seconds, so that staining can be avoided.

Modifications:

Technical modifications (+/- 5mm) and flatness modifications (DIN 18202) are subject of the usual material-specific modifications for construction materials, based on DIN 18202.

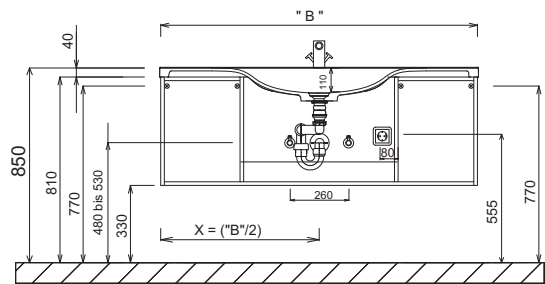
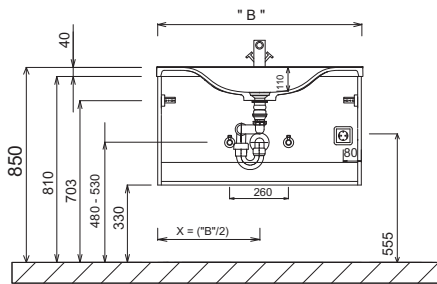
LEGEND

B = Width of Washbasin base units
X = Position wastewater connection

CONCEPT LINE Loft - dimensional drawings

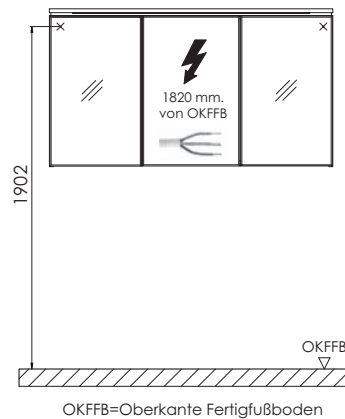
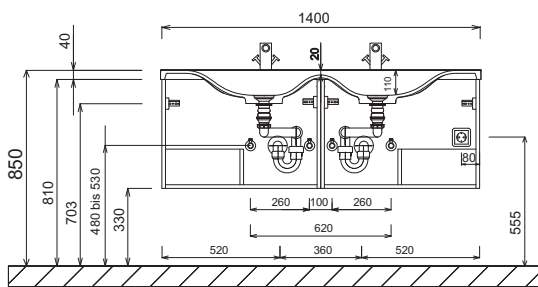
Single washbasin 500 mm wide, 700 mm wide & 900 mm wide

Single washbasin 1200 mm wide & 1400 mm wide



Double washbasin

electrical connections for mirror cabinets



LEGEND

B = Width of Washbasin base units
X = Position wastewater connection

Washing stands without anchoring brackets have to be fixed on the wall and on the furniture-side with silicon!

STONEPLUS:

The water temperature must not exceed 55° C / 131° F. Hair tinting lotions have to be removed in a few seconds, so that staining can be avoided.

Modifications:

Technical modifications (+/- 5mm) and flatness modifications (DIN 18202) are subject of the usual material-specific modifications for construction materials, based on DIN 18202.