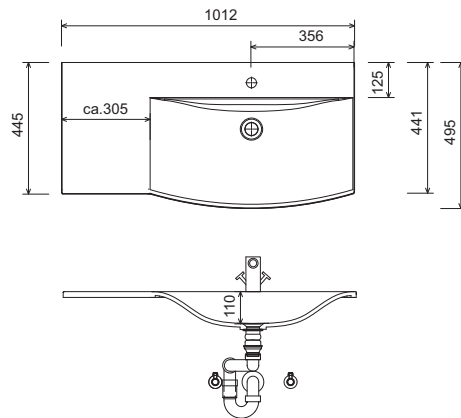
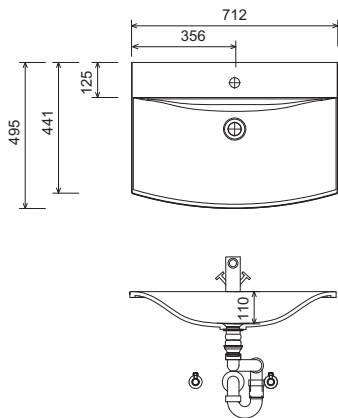


CONCEPT LINE modern classic - dimensional drawings

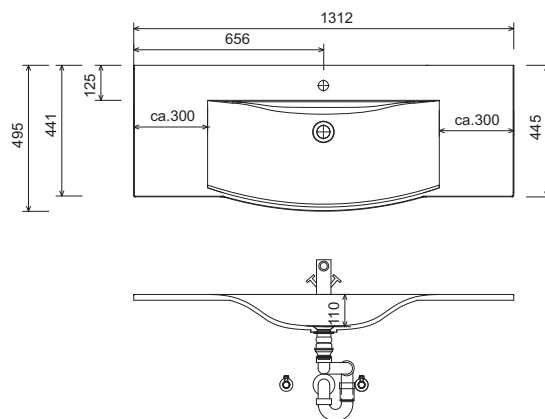
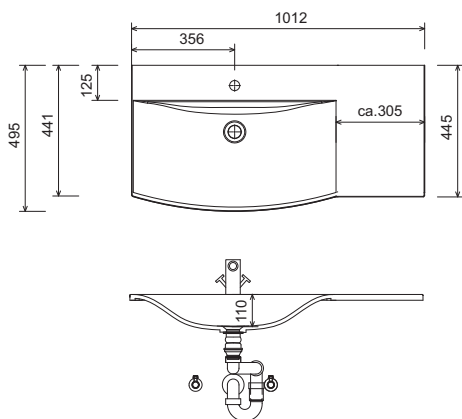
WMS 2107 61

WMS 211L

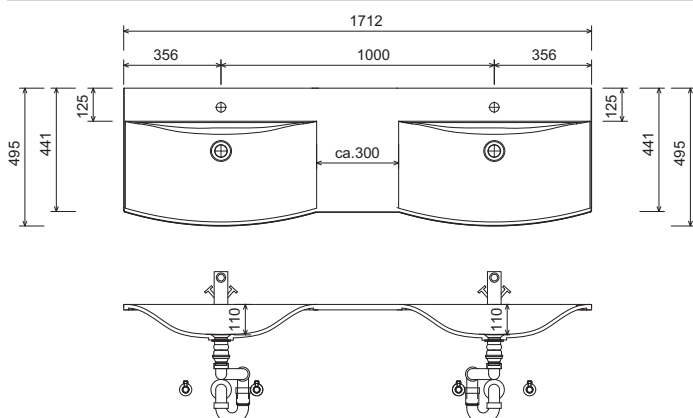


WMS 211R

WMS 213M



WMS 217D



Washing stands without anchoring brackets have to be fixed on the wall and on the furniture-side with silicon!

STONEPLUS:

The water temperature must not exceed 55° C / 131° F. Hair tinting lotions have to be removed in a few seconds, so that staining can be avoided.

Modifications:

Technical modifications (+/- 5mm) and flatness modifications (DIN 18202) are subject of the usual material-specific modifications for construction materials, based on DIN 18202.

Mo.6

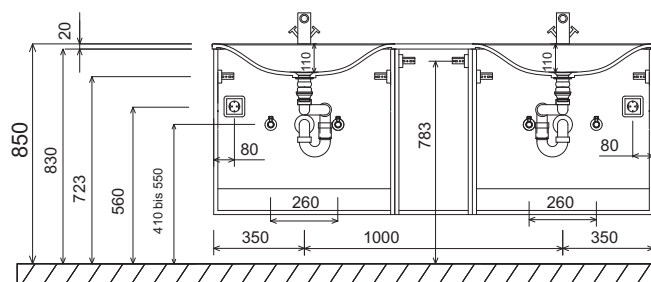
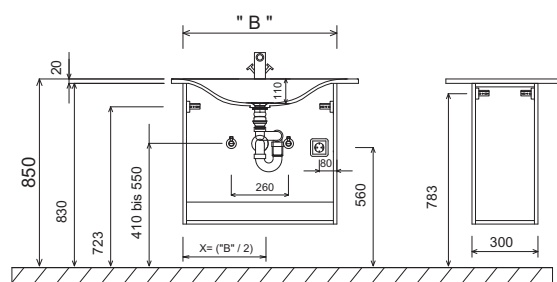
LEGEND

B = Width of Washbasin base units
X = Position wastewater connection

CONCEPT LINE modern classic - dimensional drawings

Single washbasin

Double washbasin



LEGEND

B = Width of Washbasin base units
X = Position wastewater connection

Washing stands without anchoring brackets have to be fixed on the wall and on the furniture-side with silicon!

STONEPLUS:

The water temperature must not exceed 55° C / 131° F. Hair tinting lotions have to be removed in a few seconds, so that staining can be avoided.

Modifications:

Technical modifications (+/- 5mm) and flatness modifications (DIN 18202) are subject of the usual material-specific modifications for construction materials, based on DIN 18202.