

Delivery time: 6 weeks / special washbasins 8 weeks

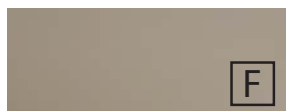
modern classic

program 550



Front colours

F foiled front



No. 764 Stonegrey matt



No. 777 cosmos grey matt



No. 793 noble white matt



No. 891 quarz grey matt



No. 893 titanium grey matt



No. 686 anthracite hgl.



No. 722 polar white hgl.



no. 680 Charleston oak



no. 776 Charleston oak dark



Nr. 785 natural oak



no. 794 sand oak

carcass colours

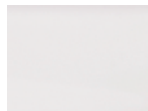
* High gloss carcass for an additional price



No. 164
Stonegrey matt



No. 177
cosmos grey
matt



No. 111
white matt



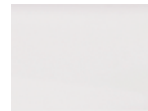
no. 191
quarz grey
matt



No. 193
titanium grey
matt



*no. 121
anthracite
hgl.



*no. 161
white hgl.



no. 180
Charleston oak



no. 176
Charleston oak
dark



Nr. 185
natural oak



no. 194
sand oak

Washbasin colours

STONEPLUS washbasins



No. 61
white

STONEPLUS®

pull-out element

Pull out with premium soft close

door with integrated buffered closing

Handle version

Standard handle



No. 520 bar handle chrome

Optional handles

also suitable for additional cabinets



No. 550 bar handle black



No. 537
Strip handle chrome



no. 548
Strip handle aluminium
matt








No. 549
Strip handle black matt

CONCEPT LINE modern classic - model list

Additional units and accessories - see separate chapter


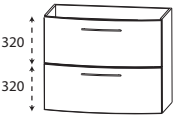

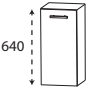
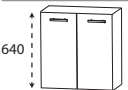

recommended retail price in £ excl. VAT

Depth indication corresponds to the carcass depth		Depth in mm	Width in mm	Height in mm	Article number	Hinge	Surchar- ge high- gloss carcass
STONEPLUS washbasins planable							
	STONEPLUS - variable washbasin colour white incl. CLOU drain and overflow system with white cover cap						
planable	The possible overall length of the washbasin is 2712 mm: base units 712 mm extension left Extention right Price of the extension per metre Additional accessories Surcharge for washbasins without tap-hole or with 3 holes (according to sketch)	495 445 445	712 1-1000 1-1000	20 20 20	WMS 2 1 0 V 6 1 WMS 2 1 V L 6 1 WMS 2 1 V R 6 1	460 483 483	128
STONEPLUS washbasins Standard							
	STONEPLUS - washbasin colour white incl. CLOU drain and overflow system with white cover cap	495	712	20	WMS 2 1 0 7 6 1	369	
Standard size	Additional accessories Additional price for Washbasin without tap hole / with 3 holes (acc. to sketch).						128
	STONEPLUS - washbasin colour white incl. CLOU drain and overflow system with white cover cap	495	1012	20	WMS 2 1 1 L 6 1	406	
extension left Standard size	Additional accessories Additional price for Washbasin without tap hole / with 3 holes (acc. to sketch).						128
	STONEPLUS - washbasin colour white incl. CLOU drain and overflow system with white cover cap	495	1012	20	WMS 2 1 1 R 6 1	406	
extension right Standard size	Additional accessories Additional price for Washbasin without tap hole / with 3 holes (acc. to sketch).						128
	STONEPLUS - washbasin colour white incl. CLOU drain and overflow system with white cover cap	495	1312	20	WMS 2 1 3 M 6 1	443	
Standard size	Additional accessories Additional price for Washbasin without tap hole / with 3 holes (acc. to sketch).						128

*Delivery time: 8 weeks. Price per washbasin. Washbasin without tap hole is incompatible with CLOU System. Please check your order confirmation for correctness.

CONCEPT LINE modern classic - model list


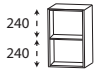
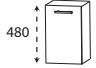
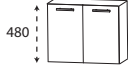
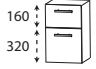
Additional units and accessories - see separate chapter

	Depth in mm	Width in mm	Height in mm	Article number	Hinge	Surcharge high-gloss carcass
Depth indication corresponds to the carcass depth						
STONEPLUS washbasins Standard						
 <p>STONEPLUS double washbasin colour white incl. 2 CLOU drain and overflow systems with white cover caps</p> <p>Standard size</p> <p>Additional accessories Additional price for Washbasin without tap hole / with 3 holes (acc. to sketch).</p>	495	1712	20	WMS 2 1 7 D 6 1		
Base units height 640 mm						
 <p>Washbasin base unit 1 metal pull out unit with buffered closing 1 metal pull-out with buffered closing incl. drawer rail sidewise carcass depth = 400 mm</p> <p>Additional accessories socket element Space-saving drain stretch trap DN 40 Space-saving drain stretch trap DN 32</p>	468	700	640	WUA 4 5 7 0 5 M PZ 1 0 9 5 PZ 1 3 6 7 PZ 1 4 2 3		
 <p>Shelf washbasin extension in carcass colour 2 fixed wooden shelves</p> <p>150 mm width 200 mm width 300 mm width 400 mm wide 500 mm width 600 mm wide adjustable in depth und width</p>				RT 4 1 1 5 0 1 RT 4 1 2 0 0 1 RT 4 1 3 0 0 1 RT 4 1 4 0 0 1 RT 4 1 5 0 0 1 RT 4 1 6 0 0 1 RV 4 1 V 0 1 RV 4 1 V T 1		
 <p>Base unit for washbasin 1 door 1 glass shelf</p>	400 400	300 400	640 640	UTA 4 1 3 4 0 1 UTA 4 1 4 4 0 1	L/R L/R	
 <p>Base unit for washbasin 2 doors 1 glass shelf</p>	400	600	640	UTA 4 2 6 4 0 1		
 <p>Base unit for washbasin 2 pull-outs with buffered closing</p>	400 400 400	300 400 600	640 640 640	UTA 4 2 3 4 0 2 UTA 4 2 4 4 0 2 UTA 4 2 6 4 0 2		

*Delivery time: 8 weeks. Price per washbasin. Washbasin without tap hole is incompatible with CLOU System. Please check your order confirmation for correctness.

CONCEPT LINE modern classic - model list

Additional units and accessories - see separate chapter

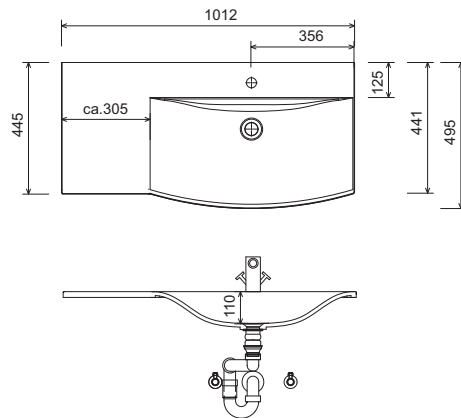
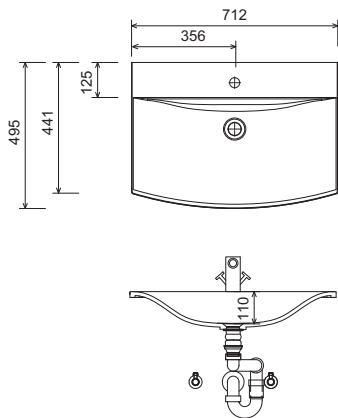
Depth indication corresponds to the carcass depth		Depth in mm	Width in mm	Height in mm	Article number	Hinge	Surcharge high-gloss carcass
Base units height 480 mm							
	<p>Washbasin base unit 1 metal pull out unit with buffered closing 1 metal pull-out with buffered closing incl. drawer rail sidewise carcass depth = 400 mm</p> <p>Additional accessories socket element Space-saving drain stench trap DN 40 Space-saving drain stench trap DN 32</p>	468	700	480	W U A 3 5 7 0 5 M		
	<p>Shelf washbasin extension in carcass colour 1 fixed shelf</p> <p>150 mm width 200 mm width 300 mm width 400 mm wide 500 mm width 600 mm wide adjustable in depth und width</p>						
		400	150	480	R T 3 1 1 5 0 1		
		400	200	480	R T 3 1 2 0 0 1		
		400	300	480	R T 3 1 3 0 0 1		
		400	400	480	R T 3 1 4 0 0 1		
		400	500	480	R T 3 1 5 0 0 1		
		400	600	480	R T 3 1 6 0 0 1		
		150-300	150-600	480	R V 3 1 V 0 1		
		301-470	150-600	480	R V 3 1 V T 1		
	<p>Base unit for washbasin 1 door 1 glass shelf</p>	400	300	480	U T A 3 1 3 4 0 1	L/R	
		400	400	480	U T A 3 1 4 4 0 1	L/R	
	<p>Base unit for washbasin 2 doors 1 glass shelf</p>	400	600	480	U T A 3 2 6 4 0 1		
	<p>Base unit for washbasin 1 drawer with buffered closing 1 pull-out with buffered closing</p>	400	300	480	U T A 3 2 3 4 0 2		
		400	400	480	U T A 3 2 4 4 0 2		
		400	600	480	U T A 3 2 6 4 0 2		

Please observe the product details of the accessories in the separate index.

CONCEPT LINE modern classic - dimensional drawings

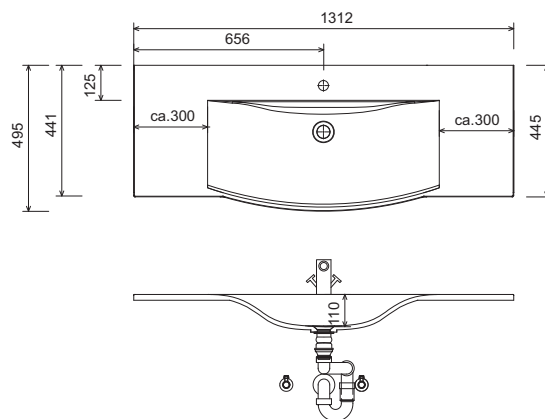
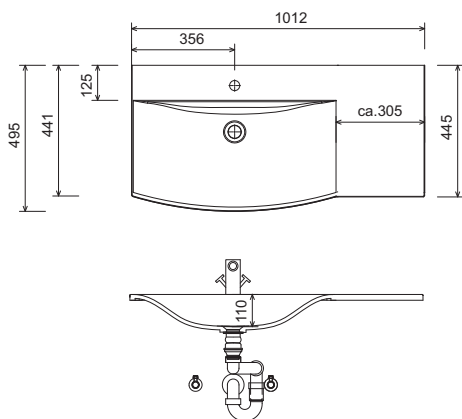
WMS 2107 61

WMS 211L

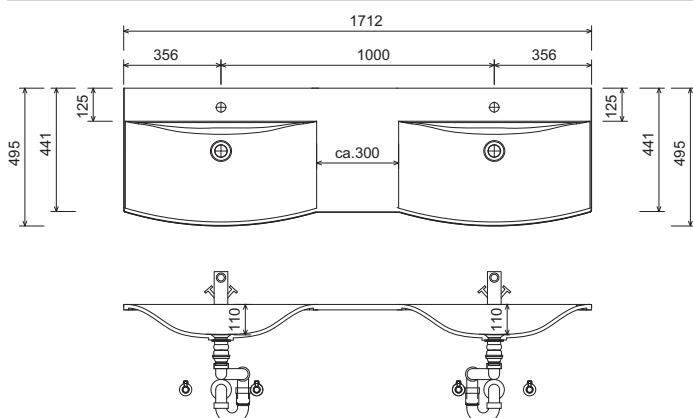


WMS 211R

WMS 213M



WMS 217D



Washing stands without anchoring brackets have to be fixed on the wall and on the furniture-side with silicon!

STONEPLUS:

The water temperature must not exceed 55° C / 131° F. Hair tinting lotions have to be removed in a few seconds, so that staining can be avoided.

Modifications:

Technical modifications (+/- 5mm) and flatness modifications (DIN 18202) are subject of the usual material-specific modifications for construction materials, based on DIN 18202.

Mo.6

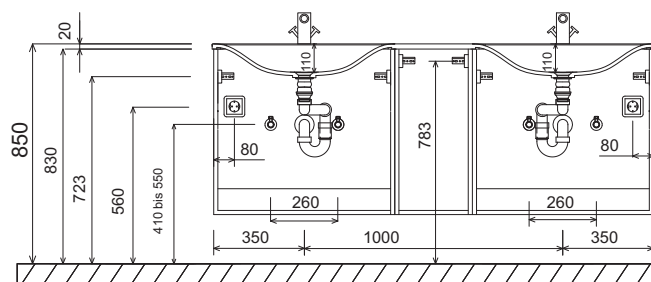
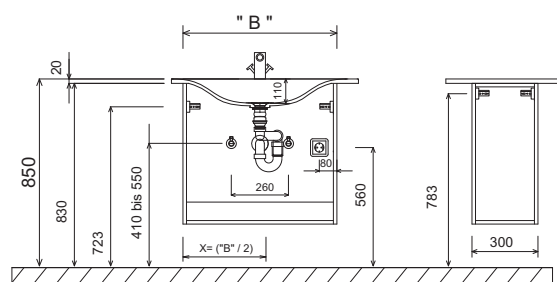
LEGEND

B = Width of Washbasin base units
X = Position wastewater connection

CONCEPT LINE modern classic - dimensional drawings

Single washbasin

Double washbasin



LEGEND

B = Width of Washbasin base units
X = Position wastewater connection

Washing stands without anchoring brackets have to be fixed on the wall and on the furniture-side with silicon!

STONEPLUS:

The water temperature must not exceed 55° C / 131° F. Hair tinting lotions have to be removed in a few seconds, so that staining can be avoided.

Modifications:

Technical modifications (+/- 5mm) and flatness modifications (DIN 18202) are subject of the usual material-specific modifications for construction materials, based on DIN 18202.