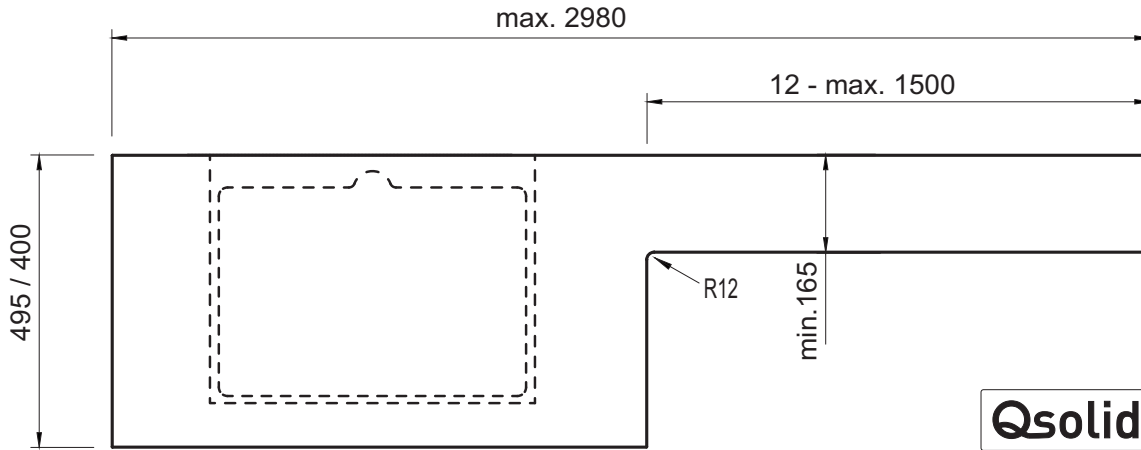


Laguna Platino 2.0 - ordering aid

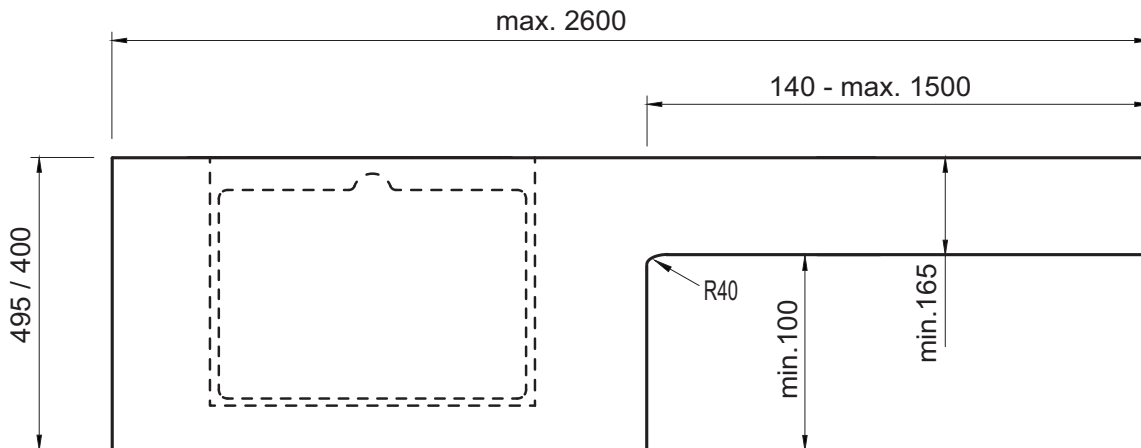
The order and order confirmation will follow once the sketch has been approved in writing.

Please send such a sketch of the return of an panel with every order.

Qsolid plate WP S51V PO with return right WPS 51RS R:



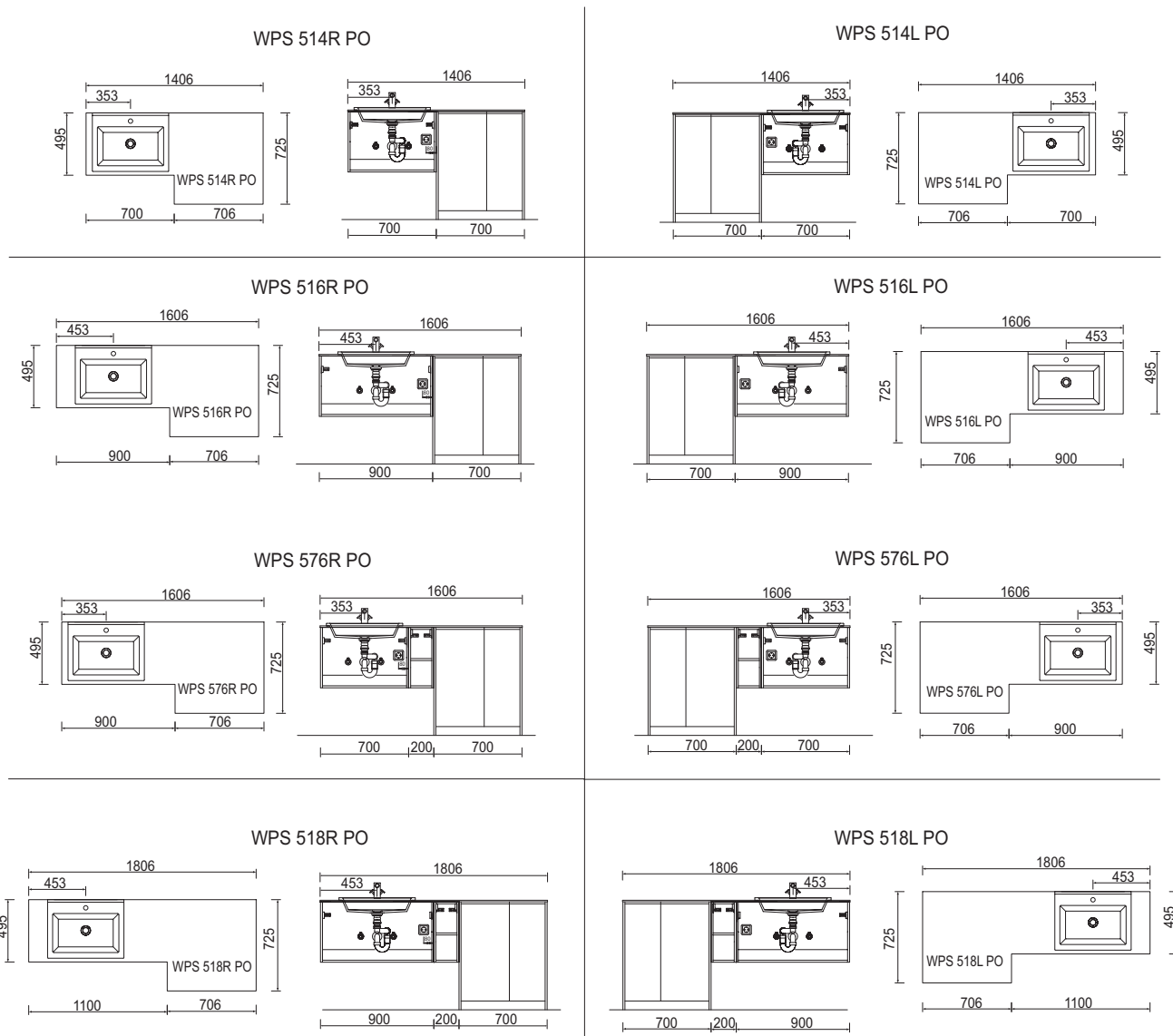
Washbasin top APN 60V 28 with return right APN 60RS R:



An order form is available from your Laguna service team or at www.laguna-badwelten.de under the dealer login.

CONCEPT LINE Platino 2.0 - panel cut-outs washbasin plate „Qsolid“ 12 mm for washing machine housing

incl. washbasin cut-out for: STONEPLUS fitting washbasin

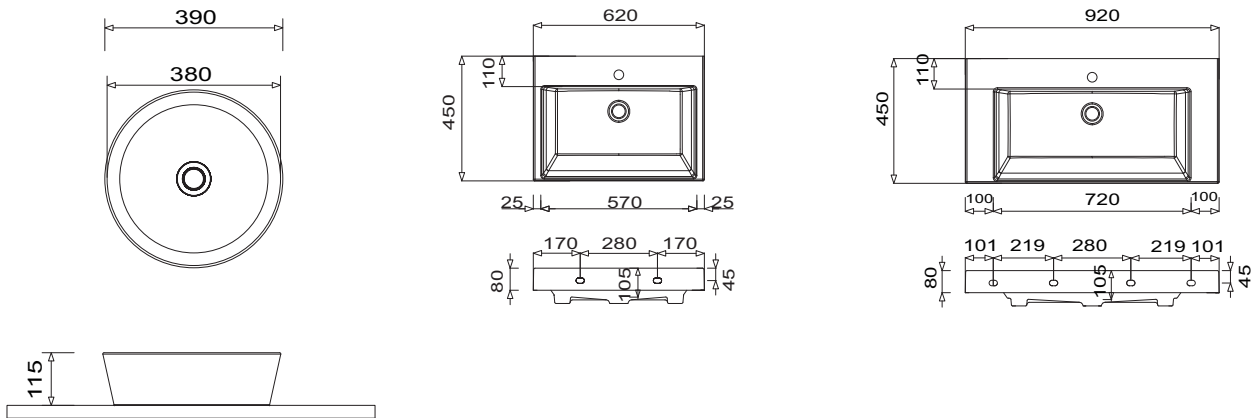


CONCEPT LINE Platino 2.0 - dimensional drawings

Nizza WTA 3900 1

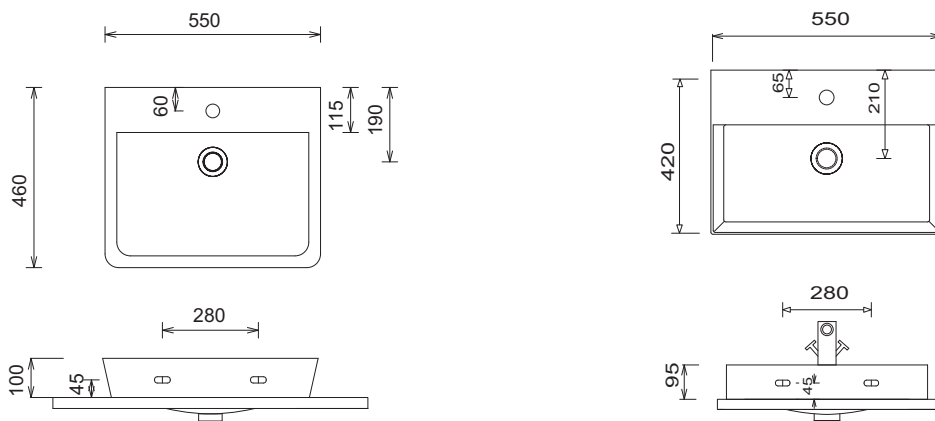
Q!flat WTM 5306 1

Q!flat WTM 5309 1



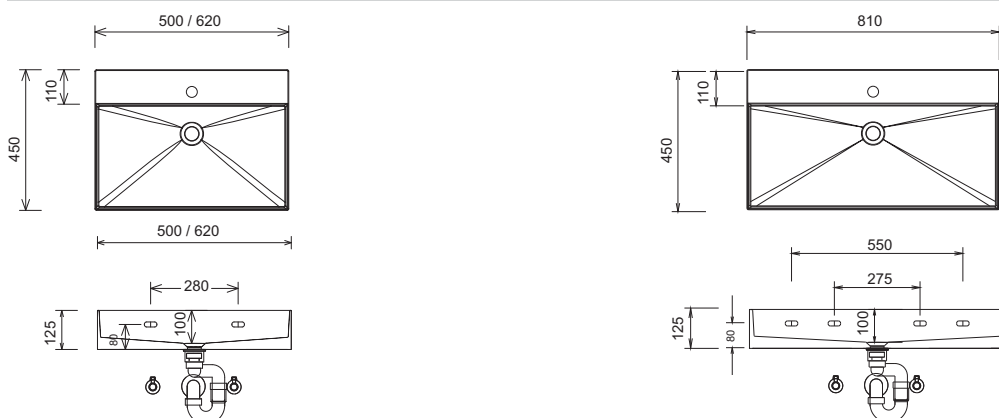
CONNECT AIR WTA 0805

MÁLAGA WTA 4255 1



SQUARED WTM 4805 / WTM 4806 / WTO 4806
Sketch with tap hole

SQUARED WTM 4808 / WTO 4808
Sketch with tap hole



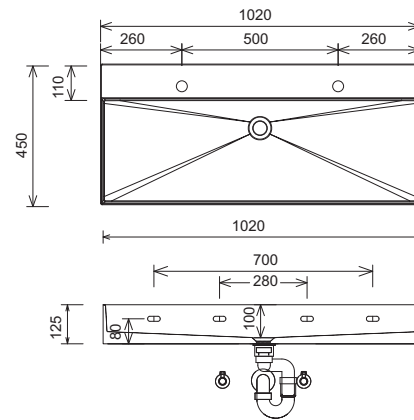
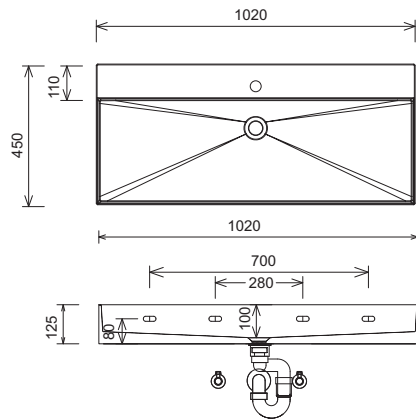
Modifications:
Technical modifications (+/- 5mm) and flatness modifications (DIN 18202) are subject of the usual material-specific modifications for construction materials, based on DIN 18202.

LEGEND
 B = Width of Washbasin base units
 A = Top of the washbasin
 D = Washbasin installation height
 C = Top of washbasin plate
 E = Thickness of washbasin plate
 Y = Top of the base unit
 X = Position wastewater connection

CONCEPT LINE Platino 2.0 - dimensional drawings

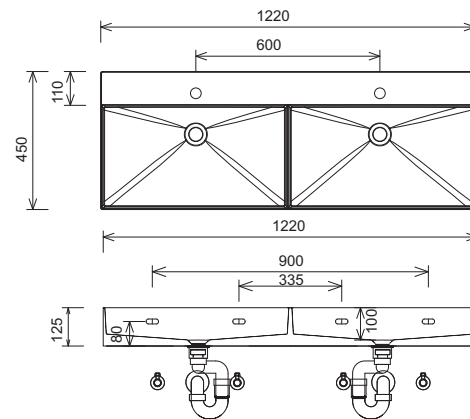
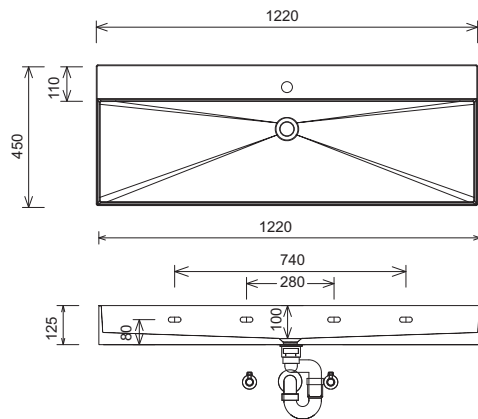
SQUARED WTM 4810 / WTO 4810
Sketch with tap hole

SQUARED WTM 4821



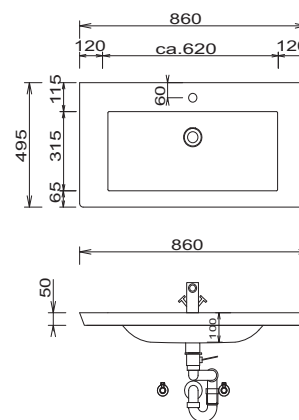
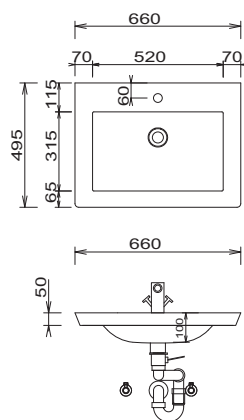
SQUARED WTM 4812 / WTO 4812
Sketch with tap hole

SQUARED WTM 482D / WTO 482D
Sketch with tap hole



Valencia 660

Valencia 860



LEGEND

- B = Width of Washbasin base units
- A = Top of the washbasin
- D = Washbasin installation height
- C = Top of washbasin plate
- E = Thickness of washbasin plate
- Y = Top of the base unit
- X = Position wastewater connection

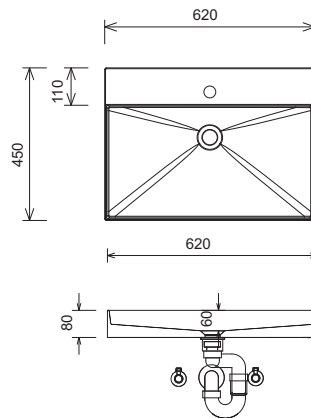
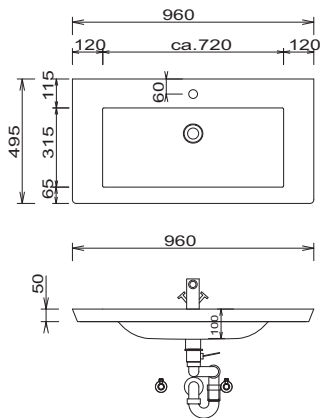
Modifications:

Technical modifications (+/- 5mm) and flatness modifications (DIN 18202) are subject of the usual material-specific modifications for construction materials, based on DIN 18202.

CONCEPT LINE Platino 2.0 - dimensional drawings

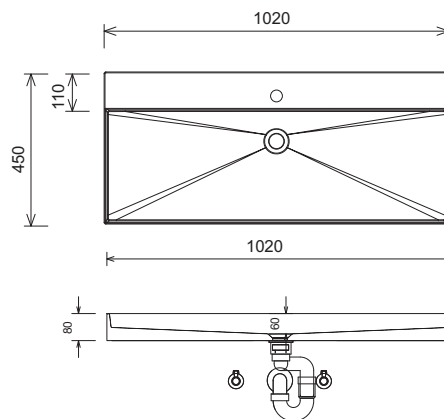
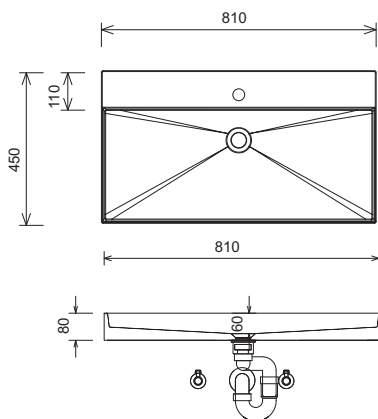
Valencia 960

Till WTM 5006



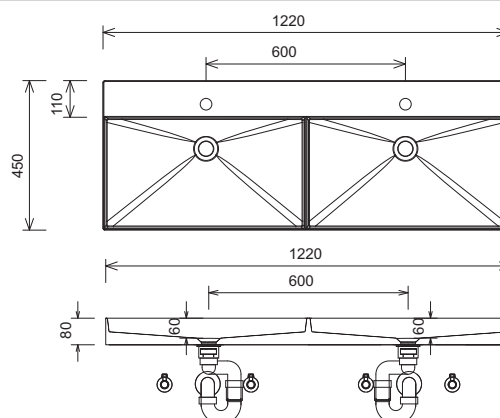
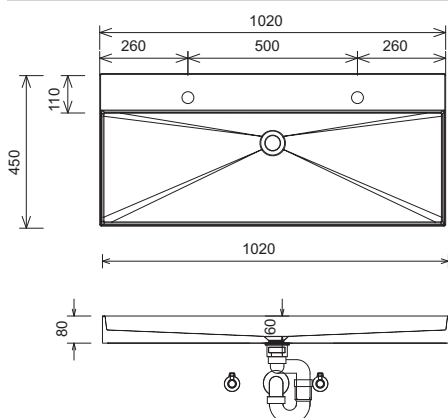
Till WTM 5008

Till WTM 5010



Till WTM 5021

Till WTM 502D



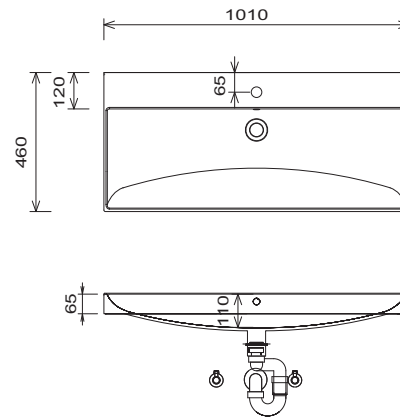
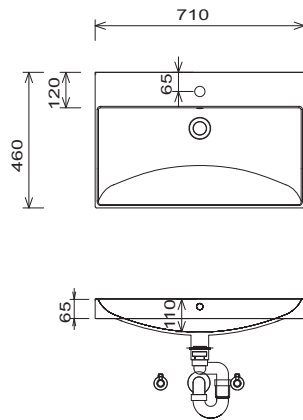
Modifications:
 Technical modifications (+/- 5mm) and flatness modifications (DIN 18202) are subject of the usual material-specific modifications for construction materials, based on DIN 18202.

LEGEND
 B = Width of Washbasin base units
 A = Top of the washbasin
 D = Washbasin installation height
 C = Top of washbasin plate
 E = Thickness of washbasin plate
 Y = Top of the base unit
 X = Position wastewater connection

CONCEPT LINE Platino 2.0 - dimensional drawings

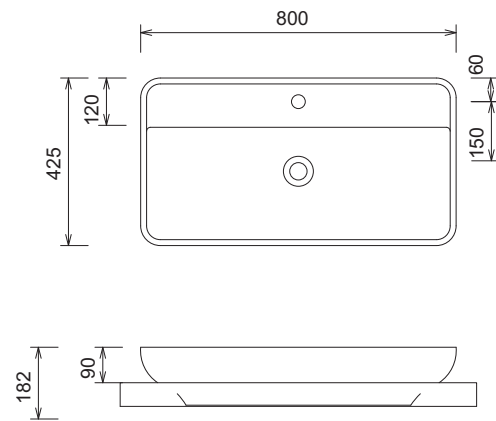
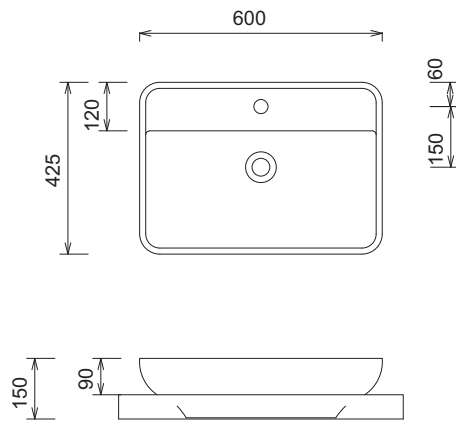
K-Line WTM 5107 1

K-Line WTM 5110 1



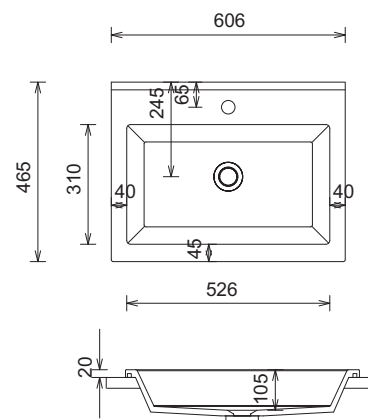
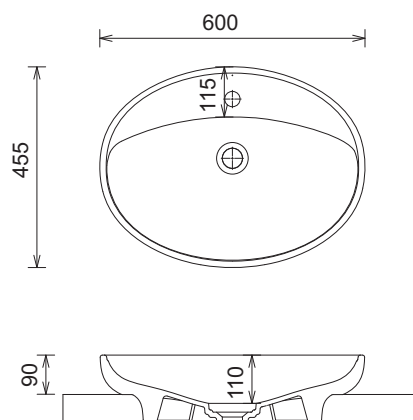
MELBOURNE WTA 1104

MELBOURNE WTA 1105



MELBOURNE WTA 1107

Madeira WTA 336E 61



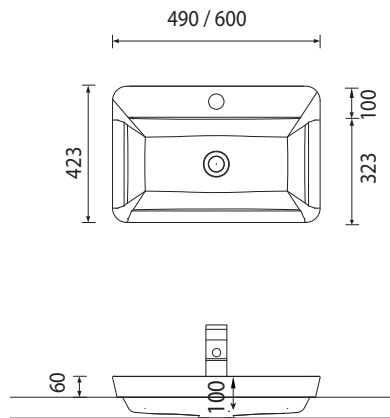
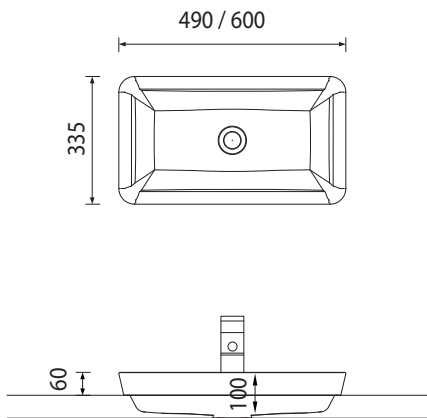
LEGEND
 B = Width of Washbasin base units
 A = Top of the washbasin
 D = Washbasin installation height
 C = Top of washbasin plate
 E = Thickness of washbasin plate
 Y = Top of the base unit
 X = Position wastewater connection

Modifications:
 Technical modifications (+/- 5mm) and flatness modifications (DIN 18202) are subject of the usual material-specific modifications for construction materials, based on DIN 18202.

CONCEPT LINE Platino 2.0 - dimensional drawings

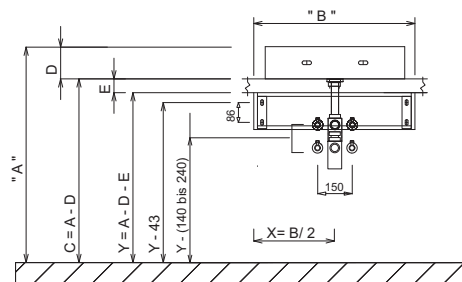
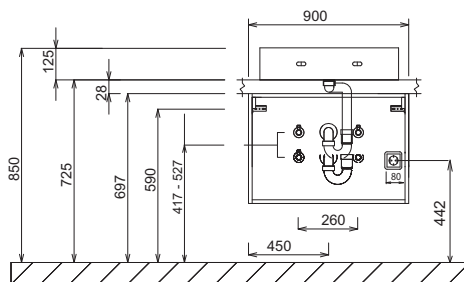
Havana WTA S101 / WTA S102

Toronto WTA S111 / WTA S112



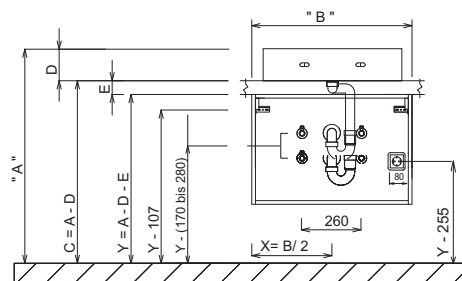
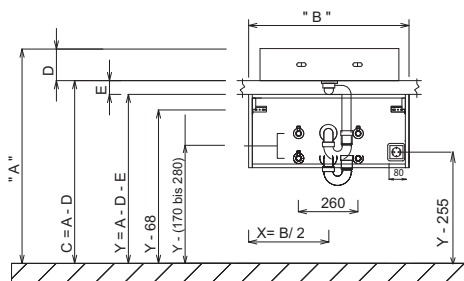
ASSEMBLY EXAMPLE
Washbasin base unit height 480 mm / washbasin Squared 620

Washbasin base unit
height 160 mm & height 240 mm



Washbasin base unit
height 320 mm

Washbasin base unit
height 480 mm, 520 mm & 560 mm



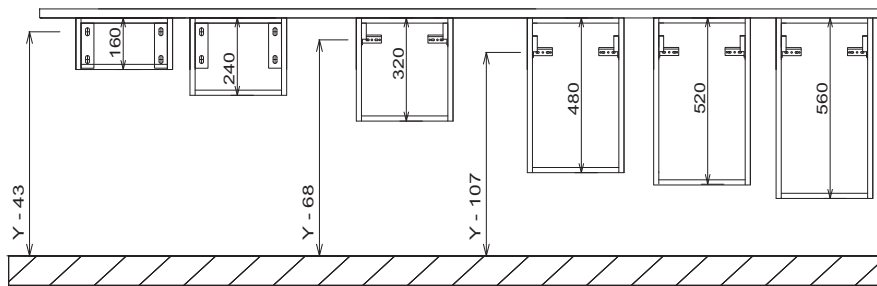
Modifications:
Technical modifications (+/- 5mm) and flatness modifications (DIN 18202) are subject of the usual material-specific modifications for construction materials, based on DIN 18202.

LEGEND

- B = Width of Washbasin base units
- A = Top of the washbasin
- D = Washbasin installation height
- C = Top of washbasin plate
- E = Thickness of washbasin plate
- Y = Top of the base unit
- X = Position wastewater connection

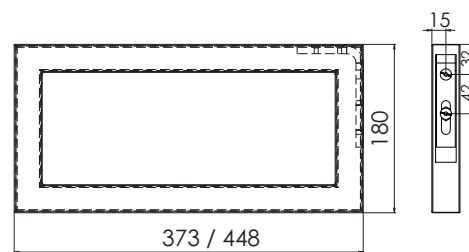
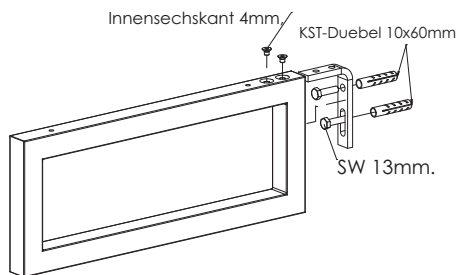
CONCEPT LINE Platino 2.0 - dimensional drawings

Base units for washbasin plates



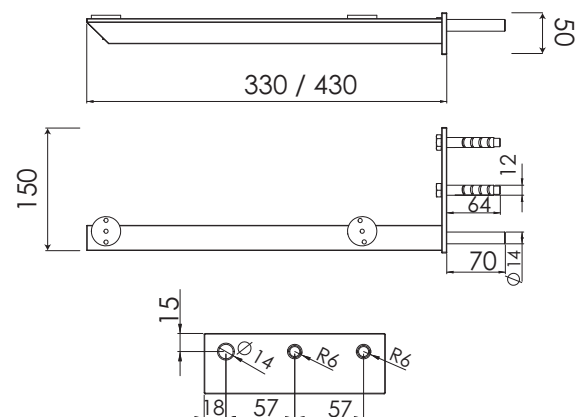
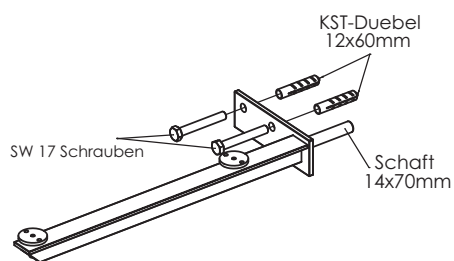
Towel holder console
PZ 1133 49/40 & PZ 1233 49/40

Towel holder console
PZ 1133 49/40 & PZ 1233 49/40



Console for washbasin tops
PZ 1244 50/40

Console for washbasin tops
PZ 1244 50/40



LEGEND

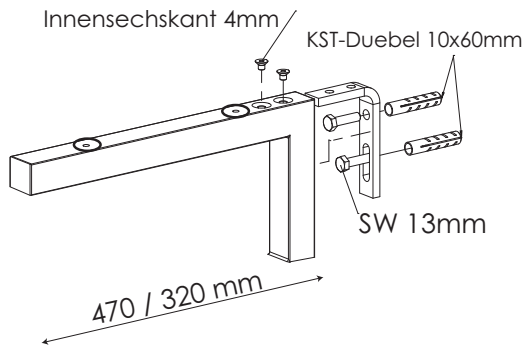
- B = Width of Washbasin base units
- A = Top of the washbasin
- D = Washbasin installation height
- C = Top of washbasin plate
- E = Thickness of washbasin plate
- Y = Top of the base unit
- X = Position wastewater connection

Modifications:

Technical modifications (+/- 5mm) and flatness modifications (DIN 18202) are subject of the usual material-specific modifications for construction materials, based on DIN 18202.

CONCEPT LINE Platino 2.0 - dimensional drawings

L-Console for washbasin tops
PZ 1118 49/40 & PZ 1218 49/40



Modifications:

Technical modifications (+/- 5mm) and flatness modifications (DIN 18202) are subject of the usual material-specific modifications for construction materials, based on DIN 18202.

LEGEND

B = Width of Washbasin base units
A = Top of the washbasin
D = Washbasin installation height
C = Top of washbasin plate
E = Thickness of washbasin plate
Y = Top of the base unit
X = Position wastewater connection