

Delivery time: 6 weeks / with * marked washbasins 10 weeks



Platino 2.0

programm 503 - with handle
programm 543 - hand-leless



Front colours

F foiled front

M Melamine coated front with ABS-edge



No. 679 concrete imitation



No. 764 Stonegrey matt



No. 777 cosmos grey matt



No. 793 noble white matt



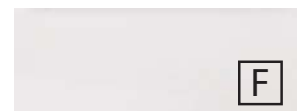
No. 891 quarz grey matt



No. 893 titanium grey matt



No. 686 anthracite hgl.



No. 722 polar white hgl.



No. 755 hacienda black



No. 769 hacienda grey

Expiry 12/2023



No. 639 Oak Black



no. 670 Halifax oak



no. 680 Charleston oak



No. 750 cardiff oak



no. 751 Cuneo oak brown



no. 771 Cuneo oak natural



no. 776 Charleston oak dark



Nr. 785 natural oak



no. 794 sand oak

carcass colours

* High gloss carcass for an additional price



No. 179
concrete imitation



No. 164
Stonegrey matt



No. 177
cosmos grey matt



No. 111
white matt



no. 191
quarz grey matt



No. 193
titanium grey matt



*no. 121
anthracite hgl.



*no. 161
white hgl.



no. 155
hacienda black



no. 169
hacienda grey
Expiry 12/2023



No. 139 Oak Black



no. 170
Halifax oak



no. 180
Charleston oak



no. 150
cardiff oak



no. 151
Cuneo oak brown



no. 171 Cuneo
oak natural



no. 176
Charleston oak dark



Nr. 185
natural oak



no. 194
sand oak

Washbasin plate colours thickness 28 mm

High gloss plate against additional price



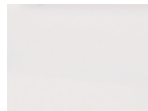
No. 179
concrete imitation



No. 164
Stonegrey matt



No. 177
cosmos grey matt



No. 111
white matt



no. 191
quarz grey matt



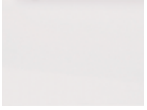
No. 193
titanium grey matt



No. 175
steel grey dark matt



*no. 121
anthracite hgl.



*no. 161
white hgl.



No. 143
Slate imitation



no. 155
hacienda black



no. 169
hacienda grey
Expiry 12/2023



No. 139 Oak Black



no. 170
Halifax oak



no. 180
Charleston oak



no. 150
cardiff oak



no. 151
Cuneo oak brown



no. 171 Cuneo
oak natural



no. 174
Hunton oak



no. 176
Charleston oak dark



Nr. 185
natural oak



no. 194
sand oak

Washbasin plate colours thickness 60 mm thermo coated



No. 755 hacienda
black



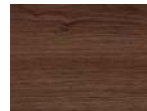
No. 769 hacienda
grey
Expiry 12/2023



no. 670 Halifax
oak*



no. 680 Charles-
ton oak



no. 776 Charleston
oak dark



Nr. 785 natural oak



no. 794 sand oak

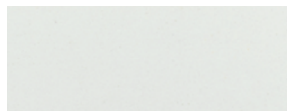
* Due to colour differences, we do not recommend combining the top with the Halifax oak front and carcass.

Washbasin plate colours



individual washbasin tops made from high quality quarz materials with scratch-resistant surface - easy-care & durable

Surface polished



No. 401 Blanco Zeus



No. 402 Negro Stellar



No. 408 Cemento Spa



no. 423 lava grey



No. 424 Black



no. 427 Noble grey



no. 429 Calypso

Ceramic porcelain top colours



No. 505 Iron Grey Satin



No. 515 Iron Corten Satin



No. 531 Niagara Silk



No. 527 Beton Silk



No. 531 Niagara Silk



No. 532 Alexandra Silk



No. 533 Colorado Dunes Silk



No. 534 Sofia Cuprum 2021

washbasin plate massive oak



No. 103

pull-out element

Pull out with premium soft close door with integrated buffered closing

Handle versions

Standard handle



No. 522 bar handle chrome

Optional handles



No. 529 Strip handle chrome



no. 538 Strip handle aluminium matt



No. 539 Strip handle black matt

Handleless versions



handleless - handle profil in carcass colour

The vanity units are fitted with a 40 mm high recess.

Accent decors for plug-in shelf



no. 501 white matt lacquered



no. 547 black matt lacquered

washbasin typs

Cast mineral top washbasin



Portofino
No. 1 white



Havanna
No. 1 white
available in 2 different sizes



Toronto
No. 1 white
available in 2 different sizes



Straight
No. 61 white

STONEPLUS®



Madeira
No. 61 white

STONEPLUS®

Ceramic counter top washbasin



Olinda
No. 1 white



Piccolo
No. 1 white



Orlando
No. 1 white



Nizza
No. 1 white



Málaga
No. 1 white



Ideal Standard Connect Air Valencia

No. 1 white
No. 21 white IdealPlus



No. 1 white
available in different sizes



Till

No. 1 white
available in different sizes



Q!flat

No. 1 white
available in 2 different sizes



K-Line

No. 1 white
available in 2 different sizes



Squared

No. 1 white

available in different sizes

deliverable without tap hole



Squared

No. 43 Carbone

available in 2 different sizes

deliverable without tap hole



Melbourne

No. 1 white

available in 2 different sizes



Melbourne oval

No. 1 white

Washstands by other manufacturers

Tops can also be cut to take washstands by other manufacturers (surcharge).

Please enclosed sketch with order.

Illustrations and specifications are without obligation. Technical modifications reserved.





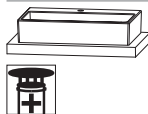
2023/2024 - 2,839

Pt.4

Please note the instruction for warranty, mounting and care, and the quality agreements as well, at the beginning of the book.

CONCEPT LINE Platino 2.0 - model list


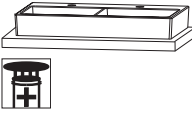




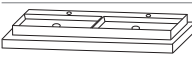
Additional units and accessories - see separate chapter

Depth indication corresponds to the carcass depth		Depth in mm	Width in mm	Height in mm	Article number	Hinge	Surcharge high-gloss carcass
	ceramic counter top Nizza white incl. permanent drain	390	390	115	W T A 3 9 0 0 1		
	ceramic counter top Q!flat white incl. tap hole incl. CLOU drain and overflow system						
	620 mm wide	453	620	80	W T M 5 3 0 6 1		
	920 mm wide	453	920	80	W T M 5 3 0 9 1		
	counter top washbasin Connect Air, white incl. tap hole with overflow	460	550	100	W T A 0 8 0 5 1		
	counter top washbasin Connect Air, IdealPlus, white incl. tap hole with overflow	460	550	100	W T A 0 8 0 5 2 1		
	ceramic counter top Squared Carbone matt incl. permanent drain incl. tap hole						
	500 mm wide	450	500	125	W T M 4 8 0 5 4 3		
	500 mm wide without tap hole*	450	500	125	W T O 4 8 0 5 4 3		
	620 mm wide	450	620	125	W T M 4 8 0 6 4 3		
	620 mm wide without tap hole*	450	620	125	W T O 4 8 0 6 4 3		
	Additional accessories CLOU drain and overflow system CLOU drain and overflow system with rotary-knob actuation				P Z 1 1 0 9 1 P Z 1 1 4 9 1		
	ceramic counter top Squared white incl. permanent drain incl. tap hole						
	500 mm wide	450	500	125	W T M 4 8 0 5 1		
	500 mm wide without tap hole*	450	500	125	W T O 4 8 0 5 1		
	620 mm wide	450	620	125	W T M 4 8 0 6 1		
	620 mm wide without tap hole*	450	620	125	W T O 4 8 0 6 1		
	810 mm wide	450	810	125	W T M 4 8 0 8 1		
	810 mm wide without tap hole*	450	810	125	W T O 4 8 0 8 1		
	1020 mm wide	450	1020	125	W T M 4 8 1 0 1		
	1020 mm wide without tap hole*	450	1020	125	W T O 4 8 1 0 1		
	1220 mm wide	450	1220	125	W T M 4 8 1 2 1		
	1220 mm wide without tap hole*	450	1220	125	W T O 4 8 1 2 1		
	Additional accessories CLOU drain and overflow system CLOU drain and overflow system with rotary-knob actuation				P Z 1 1 0 9 1 P Z 1 1 4 9 1		

*Delivery time: 10 weeks. Washbasin is not combinable with the CLOU System.
If planning with wall taps, this needs to be indicated separately in the order.

CONCEPT LINE Platino 2.0 - model list









Additional units and accessories - see separate chapter

	Depth in mm	Width in mm	Height in mm	Article number	Hinge	Surcharge high-gloss carcass
Depth indication corresponds to the carcass depth						
Ceramic counter top washbasin						
				Ceramic double washbasin Squared white incl. permanent drain incl. 2 tap holes		
		1020 mm wide	450	1020	125	WTM 4 8 2 1 1
		1220 mm wide	450	1220	125	WTM 4 8 2 2 1
				Ceramic double washbasin Squared white incl. permanent drain incl. 2 tap holes		
		1220 mm wide	450	1220	125	WTM 4 8 2 D 1
		1220 mm wide without tap holes*	450	1220	125	WTO 4 8 2 D 1
		only usable with washbasin base units in 600 mm width				
		Additional accessories				
		CLOU drain and overflow system (order 2 pieces)		P Z	1 1 0 9	1
		CLOU drain and overflow system with rotary-knob actuation (please order 2 pieces)		P Z	1 1 4 9	1
				ceramic counter top Valencia white incl. tap hole with overflow		
		660 mm wide	495	660	50	WTM 4 9 0 6 1
		860 mm wide	495	860	50	WTM 4 9 0 8 1
		960 mm wide	495	960	50	WTM 4 9 0 9 1
		For a washbasin base unit with a 160 mm high drawer at the top, washbasin only possible in combination with a 60 mm high washbasin top possible				
				counter top washbasin Melbourne, white incl. tap hole with overflow		
	420	550	95			WTA 4 2 5 5 1
				ceramic counter top Till white incl. tap hole incl. permanent drain		
		620 mm wide	450	620	80	WTM 5 0 0 6 1
		810 mm wide	450	810	80	WTM 5 0 0 8 1
		1020 mm wide	450	1020	80	WTM 5 0 1 0 1
				Ceramic double washbasin Till white incl. permanent drain incl. 2 tap holes		
	450	1020	80			WTM 5 0 2 1 1
				Ceramic double washbasin Till white incl. permanent drain incl. 2 tap holes only usable with washbasin base units in 600 mm width		
	450	1220	80			WTM 5 0 2 D 1

*Delivery time: 10 weeks. Washbasin is not combinable with the CLOU System.
If planning with wall taps, this needs to be indicated separately in the order.



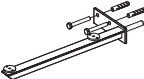
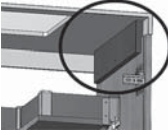

CONCEPT LINE Platino 2.0 - model list

Additional units and accessories - see separate chapter

	Depth in mm	Width in mm	Height in mm	Article number	Hinge	Surchar- ge high- gloss carcass
Depth indication corresponds to the carcass depth						
Ceramic counter top washbasin						
				ceramic counter too K-Line white with overflow incl. tap hole trailing edge not glazed		
				710 mm wide		
	460	710	65	WT M 5 1 0 7 1		
	460	1010	65	WT M 5 1 1 0 1		
	425	600	90	WT A 1 1 0 4 1		
				incl. tap hole incl. permanent drain		
	425	800	90	WT A 1 1 0 5 1		
				incl. tap hole incl. permanent drain		
	455	600	90	WT A 1 1 0 7 1		
				incl. tap hole incl. permanent drain without overflow		
STONEPLUS-fitting washbasin						
 STONEPLUS	465	606	20	WT A 3 3 6 E 6 1		
				STONEPLUS fitting washbasin Madeira white incl. CLOU drain and overflow system with STONEPLUS cover cap		
				For a washbasin base unit with a 160 mm high drawer at the top, washbasin only possible in combi nation with a 60 mm high washbasin top possible		
cast mineral - topcover washbasin						
				cast mineral - topcover washbasin Havana white		
				incl. permanent drain without tap hole		
	340	490	60	WT A S 1 0 1 1		
	340	600	60	WT A S 1 0 2 1		
 				cast mineral - topcover washbasin Toronto white		
				incl. permanent drain incl. tap hole direct wall connection not possible		
	423	490	60	WT A S 1 1 1 1		
	423	600	60	WT A S 1 1 2 1		
				Additional accessories CLOU drain and overflow system CLOU drain and overflow system with rotary-knob actuation		
				PZ 1 1 0 9 1 PZ 1 1 4 9 1		

CONCEPT LINE Platino 2.0 - model list


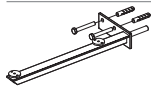

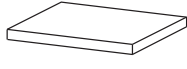


Additional units and accessories - see separate chapter

Depth indication corresponds to the carcass depth		Depth in mm	Width in mm	Height in mm	Article number	Hinge	Surcharge high-gloss carcass
Washbasin plates  Qsolid Qsolid washbasin plate, to be fixed on washbasin base units price per metre 4 mm have to be added at both sides. (left/right) only in combination with washbasin base units and base units for washbasin plates Optional top modification: Return left Return right		495	600-2980	12	WP S 5 1 V P O WP S 5 1 R S L WP S 5 1 R S R		
 Qsolid Qsolid washbasin plate self-supporting or surface mounted price per metre 4 mm have to be added at both sides. (left/right) Concealed mounting possible Unsupported plate with the console PZ 1244 50: We recommend ordering 2 brackets from 600 mm, 3 from 1006 mm and from 1650 mm to order 4 brackets in addition. Overlying plate with the spacer PZ DZAG 30: Application examples see page Pt. 23		495	600-2980	60	WP S 5 V O P O		
 Console for washbasin tops 60 mm high gris Price per item for the wall attachment of free hanging washstand tops		430	150	50	P Z 1 2 4 4 5 0	L/R	
 Distance compensation Price per item for surface-mounted washbasin plate Qsolid 60 mm		300	21	69	P Z D Z A G 3 0		
 Porcelain ceramic Porcelain ceramic washbasin plate, to be fixed on washbasin base units price per metre 4 mm have to be added at both sides. (left/right) only in combination with washbasin base units and base units for washbasin plates		495	600-2980	22	WP P 5 2 V		

If planning with wall taps, this needs to be indicated separately in the order.

CONCEPT LINE Platino 2.0 - model list


Additional units and accessories - see separate chapter

Depth indication corresponds to the carcass depth		Depth in mm	Width in mm	Height in mm	Article number	Hinge	Surchar- ge high- gloss carcass
Washbasin plates							
	<p>washbasin plate self-supporting or surface mounted price per metre in front surface thermo coated 4 mm have to be added at both sides. (left/right)</p> <p>Unsupported plate with the console PZ 1244 50: We recommend ordering 2 brackets from 600 mm, 3 from 1006 mm and from 1650 mm to order 4 brackets in addition.</p> <p>2 concealed fastenings possible as standard Info & application example see page Pt. 22 & 23 If required, please order additional cutouts for the brackets for the consoles!</p> <p>Optional top modification: Surcharge additional milling for the console</p>	495	600-2200	60	WP 5 V V M F O		
	<p>Console for washbasin tops 60 mm high gris Price per item for the wall attachment of free hanging washstand tops</p>	430	150	50	P Z 1 2 4 4 5 0	L/R	
 in oak solid	<p>washbasin plate self-supporting or surface mounted price per metre in no. 103 solid oak 6 mm have to be added at both sides - left/right</p> <p>Cantilever slab with the L-console or the towel holder console: We recommend ordering 2 brackets from 600 mm and 3 brackets from 1000 mm brackets to be ordered in addition.</p> <p>No cut-out possible for other manufactures</p>	495	612-1612	40	W P M 4 9 V O A		
	<p>washbasin plate self-supporting or surface mounted price per metre in carcass colour with ABS edge 4 mm have to be added at both sides. (left/right)</p> <p>Cantilever slab with the L-console or the towel holder console: We recommend ordering 2 brackets from 600 mm and 3 brackets from 1000 mm brackets to be ordered in addition.</p> <p>Optional top modification: Return left Return right</p>	495	600-2600	28	A P N 6 0 V 2 8		
	<p>L-Console for washbasin tops Price per item for the wall attachment of free hanging washstand tops</p> <p>in chrome</p> <p>in black matt</p>	470	30	180	P Z 1 1 1 8 4 9		
	<p>Towel holder console Price per item for the wall attachment of free hanging washstand tops</p> <p>in chrome</p> <p>in black matt</p>	448	30	180	P Z 1 1 3 3 4 9		
		448	30	180	P Z 1 2 3 3 4 9		

If planning with wall taps, this needs to be indicated separately in the order.

CONCEPT LINE Platino 2.0 - model list

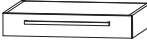
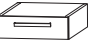

Additional units and accessories - see separate chapter

Depth indication corresponds to the carcass depth	Depth in mm	Width in mm	Height in mm	Article number	Hinge	Surcharge high-gloss carcass
<p>cut- out for washbasins of other manufactures Orders can only be accepted with dimensioned drawings.</p> <p>for Qsolid washbasin tops</p> <p>for washbasin tops in front finishes:</p> <p>for washbasin tops in carcass colour</p> <p>for porcelain ceramic washbasin tops</p> <p>price per cutout</p>				<p>A U S K D</p> <p>A U S K D 6 0</p> <p>A U S K D 2 8</p> <p>A U S K D 2 2</p>		
 <p>III. = right</p> <p>washbasin plate Qsolid for Washing machine housing</p> <p>incl. washbasin cut-out for: STONEPLUS fitting washbasin</p> <p>please indicate colour version</p> <p>Please refer to the information on cut-outs on page Pt.25.</p> <p>1406 mm wide for Washing machine housing on the left-hand side can be combined with washing machine housing and 700 mm washbasin base unit</p> <p>1406 mm wide for Washing machine housing on the right-hand side can be combined with washing machine housing and 700 mm washbasin base unit</p> <p>1606 mm wide for Washing machine housing on the left-hand side can be combined with washing machine housing and 900 mm washbasin base unit</p> <p>1606 mm wide for Washing machine housing on the right-hand side can be combined with washing machine housing and 900 mm washbasin base unit</p> <p>1606 mm wide for Washing machine housing on the left-hand side can be combined with washing machine housing, 200 mm shelf center and 700 mm washbasin base unit</p> <p>1606 mm wide for Washing machine housing on the right-hand side can be combined with washing machine housing, 200 mm shelf center and 700 mm washbasin base unit</p> <p>1806 mm width for Washing machine housing on the left-hand side can be combined with washing machine housing, 200 mm shelf center and 700 mm washbasin base unit</p> <p>1806 mm width for Washing machine housing on the right-hand side can be combined with washing machine housing, 200 mm shelf center and 700 mm washbasin base unit</p>	<p>495-725</p> <p>495-725</p> <p>495-725</p> <p>495-725</p> <p>495-725</p> <p>495-725</p> <p>495-725</p> <p>495-725</p> <p>495-725</p> <p>495-725</p>	<p>1406</p> <p>1406</p> <p>1606</p> <p>1606</p> <p>1606</p> <p>1606</p> <p>1806</p> <p>1806</p>	<p>12</p> <p>12</p> <p>12</p> <p>12</p> <p>12</p> <p>12</p> <p>12</p> <p>12</p> <p>12</p>	<p>W P S 5 1 4 L P O</p> <p>W P S 5 1 4 R P O</p> <p>W P S 5 1 6 L P O</p> <p>W P S 5 1 6 R P O</p> <p>W P S 5 7 6 L P O</p> <p>W P S 5 7 6 R P O</p> <p>W P S 5 1 8 L P O</p> <p>W P S 5 1 8 R P O</p>		

If planning with wall taps, this needs to be indicated separately in the order.

CONCEPT LINE Platino 2.0 - model list


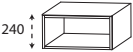

Additional units and accessories - see separate chapter

Depth indication corresponds to the carcass depth		Depth in mm	Width in mm	Height in mm	Article number	Hinge	Surchar- ge high- gloss carcass	
Base units height 160 mm								
 <p>Washbasin base unit 1 drawer with buffered closing with metal traverse syphon cut- out central,</p>	600 mm wide	470	600	160	WUP 1 1 6 0 0 1			
	700 mm wide	470	700	160	WUP 1 1 7 0 0 1			
	800 mm wide	470	800	160	WUP 1 1 8 0 0 1			
	900 mm wide	470	900	160	WUP 1 1 9 0 0 1			
	1000 mm wide	470	1000	160	WUP 1 1 1 0 0 1			
	1200 mm wide including 2 additional attachment consoles PZ 1244 40	470	1200	160	WUP 1 1 1 2 0 1			
	Additional accessories Design installationsset chrome: Additional price for offset the syphon cutout / without cutout					PZ 1 3 8 9 1 E		
	 <p>washbasin base unit 1 drawer with buffered closing</p>	300 mm width	470	300	160	UTA 1 1 3 0 P 1		
400 mm wide		470	400	160	UTA 1 1 4 0 P 1			
500 mm width		470	500	160	UTA 1 1 5 0 P 1			
600 mm wide		470	600	160	UTA 1 1 6 0 P 1			
700 mm wide		470	700	160	UTA 1 1 7 0 P 1			
800 mm wide		470	800	160	UTA 1 1 8 0 P 1			
900 mm wide		470	900	160	UTA 1 1 9 0 P 1			
Base units height 240 mm								
 <p>Washbasin base unit 1 metal pull-out with buffered closing with metal traverse syphon cut- out central,</p>	600 mm wide	470	600	240	WUP 1 2 6 0 0 1			
	700 mm wide	470	700	240	WUP 1 2 7 0 0 1			
	800 mm wide	470	800	240	WUP 1 2 8 0 0 1			
	900 mm wide	470	900	240	WUP 1 2 9 0 0 1			
	1000 mm wide	470	1000	240	WUP 1 2 1 0 0 1			
	1200 mm wide including 2 additional attachment consoles PZ 1244 40	470	1200	240	WUP 1 2 1 2 0 1			
	Additional accessories Design installationsset chrome: Additional price for offset the syphon cutout / without cutout					PZ 1 3 8 9 1 E		

*Price per Washbasin base unit. Please attach a sketch to your order. Check your order confirmation of correctness.

CONCEPT LINE Platino 2.0 - model list


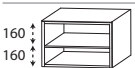
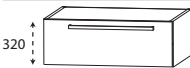
Additional units and accessories - see separate chapter

Depth indication corresponds to the carcass depth		Depth in mm	Width in mm	Height in mm	Article number	Hinge	Surchar- ge high- gloss carcass
Base units height 240 mm							
	washbasin base unit 1 metal pull-out with buffered closing						
	300 mm wide	470	300	240	UTA 1 2 3 0 P 1		
	400 mm wide	470	400	240	UTA 1 2 4 0 P 1		
	500 mm wide	470	500	240	UTA 1 2 5 0 P 1		
	600 mm wide	470	600	240	UTA 1 2 6 0 P 1		
	700 mm wide	470	700	240	UTA 1 2 7 0 P 1		
	800 mm wide	470	800	240	UTA 1 2 8 0 P 1		
900 mm wide	470	900	240	UTA 1 2 9 0 P 1			
	Shelf in carcass colour adjustable in depth und width Cannot be used in the vicinity of the attachment console for the top.	150-300	150-600	240	RV 2 0 V 0 1		
		301-470	150-600	240	RV 2 0 V T 1		
Base units height 320 mm							
	Washbasin base unit 2 metal pull-outs with buffered closing, with metal traverse syphon cut- out central,						
	600 mm wide	470	600	320	WUP 2 2 6 0 0 1		
	700 mm wide	470	700	320	WUP 2 2 7 0 0 1		
	800 mm wide	470	800	320	WUP 2 2 8 0 0 1		
	900 mm wide	470	900	320	WUP 2 2 9 0 0 1		
	1000 mm wide	470	1000	320	WUP 2 2 1 0 0 1		
	1200 mm wide	470	1200	320	WUP 2 2 1 2 0 1		
	including 2 additional attachment consoles PZ 1244 40						
Additional accessories socket element Space-saving drain stench trap DN 40 Space-saving drain stench trap DN 32 Additional price for offset the syphon cutout / without cutout					P Z 1 0 9 5 P Z 1 3 6 7 P Z 1 4 2 3		

*Price per Washbasin base unit. Please attach a sketch to your order. Check your order confirmation of correctness.

CONCEPT LINE Platino 2.0 - model list

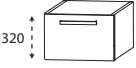
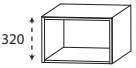
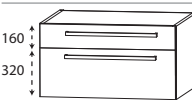
Additional units and accessories - see separate chapter

Depth indication corresponds to the carcass depth		Depth in mm	Width in mm	Height in mm	Article number	Hinge	Surcharge high-gloss carcass
Base units height 320 mm							
 <p>160 160</p>	washbasin base unit 2 metal pull-outs with buffered closing, from 300 mm depth, drawers 260 mm deep from 340 mm depth drawers 300 mm deep from 390 mm depth drawers 350 mm deep						
	300 mm width	470	300	320	U T A 2 2 3 0 P 1	304	20
	depth adjustable	300-469	300	320	U T A 2 2 3 0 P V	304	20
	400 mm wide	470	400	320	U T A 2 2 4 0 P 1	335	20
	depth adjustable	300-469	400	320	U T A 2 2 4 0 P V	335	20
	500 mm wide	470	500	320	U T A 2 2 5 0 P 1	366	20
	depth adjustable	300-469	500	320	U T A 2 2 5 0 P V	366	20
	600 mm wide	470	600	320	U T A 2 2 6 0 P 1	397	20
	depth adjustable	300-469	600	320	U T A 2 2 6 0 P V	397	20
	700 mm wide	470	700	320	U T A 2 2 7 0 P 1	429	20
depth adjustable	300-469	700	320	U T A 2 2 7 0 P V	429	20	
800 mm wide	470	800	320	U T A 2 2 8 0 P 1	460	20	
depth adjustable	300-469	800	320	U T A 2 2 8 0 P V	460	20	
900 mm wide	470	900	320	U T A 2 2 9 0 P 1	491	20	
depth adjustable	300-469	900	320	U T A 2 2 9 0 P V	491	20	
 <p>160 160</p>	Shelf 1 fixed shelf in carcass colour	150-300	150-600	320	R V 2 1 V 0 1	111	26
	adjustable in depth und width	301-470	150-600	320	R V 2 1 V T 1	128	34
Cannot be used in the vicinity of the attachment console for the top.							
 <p>320</p>	Washbasin base unit 1 metal pull-out with buffered closing, with metal traverse						
	600 mm wide	470	600	320	W U P 2 1 6 0 0 1	332	20
	700 mm wide	470	700	320	W U P 2 1 7 0 0 1	358	20
	800 mm wide	470	800	320	W U P 2 1 8 0 0 1	386	20
	900 mm wide	470	900	320	W U P 2 1 9 0 0 1	414	20
	1000 mm wide	470	1000	320	W U P 2 1 1 0 0 1	440	20
	1200 mm wide	470	1200	320	W U P 2 1 1 2 0 1	494	20
	including 2 additional attachment consoles PZ 1244 40						
Additional accessories							
socket element				P Z 1 0 9 5	91		
Space-saving drain stench trap DN 40				P Z 1 3 6 7	20		
Space-saving drain stench trap DN 32				P Z 1 4 2 3	28		

*Price per Washbasin base unit. Please attach a sketch to your order. Check your order confirmation of correctness.

CONCEPT LINE Platino 2.0 - model list

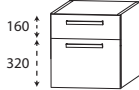
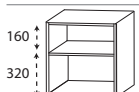
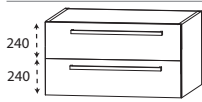
Additional units and accessories - see separate chapter

Depth indication corresponds to the carcass depth		Depth in mm	Width in mm	Height in mm	Article number	Hinge	Surchar- ge high- gloss carcass
Base units height 320 mm							
	washbasin base unit 1 metal pull-out with buffered closing incl. drawer rail from 300 mm depth, drawers 260 mm deep from 340 mm depth, drawers 300 mm deep from 390 mm depth, drawers 350 mm deep						
	300 mm wide	470	300	320	UTA 2 1 3 0 P 1		
	depth adjustable	300-469	300	320	UTA 2 1 3 0 P V		
	400 mm wide	470	400	320	UTA 2 1 4 0 P 1		
	depth adjustable	300-469	400	320	UTA 2 1 4 0 P V		
	500 mm wide	470	500	320	UTA 2 1 5 0 P 1		
	depth adjustable	300-469	500	320	UTA 2 1 5 0 P V		
	600 mm wide	470	600	320	UTA 2 1 6 0 P 1		
depth adjustable	300-469	600	320	UTA 2 1 6 0 P V			
700 mm wide	470	700	320	UTA 2 1 7 0 P 1			
depth adjustable	300-469	700	320	UTA 2 1 7 0 P V			
800 mm wide	470	800	320	UTA 2 1 8 0 P 1			
depth adjustable	300-469	800	320	UTA 2 1 8 0 P V			
900 mm wide	470	900	320	UTA 2 1 9 0 P 1			
depth adjustable	300-469	900	320	UTA 2 1 9 0 P V			
	Shelf in carcass colour adjustable in depth und width Cannot be used in the vicinity of the attachment console for the top.	150-300	150-600	320	RV 2 1 V 0 2		
		301-470	150-600	320	RV 2 1 V T 2		
Base units height 480 mm							
	Washbasin base unit 1 drawer with buffered closing syphon cut- out central, 1 metal pull-out with buffered closing incl. drawer rail						
	600 mm wide	470	600	480	WUP 3 2 6 0 0 1		
	700 mm wide	470	700	480	WUP 3 2 7 0 0 1		
	800 mm wide	470	800	480	WUP 3 2 8 0 0 1		
	900 mm wide	470	900	480	WUP 3 2 9 0 0 1		
	1000 mm wide	470	1000	480	WUP 3 2 1 0 0 1		
	1200 mm wide	470	1200	480	WUP 3 2 1 2 0 1		
	including 2 additional attachment consoles PZ 1244 40						
Additional accessories							
socket element					P Z 1 0 9 5		
Space-saving drain stench trap DN 40					P Z 1 3 6 7		
Space-saving drain stench trap DN 32					P Z 1 4 2 3		
Additional price for offset the syphon cutout / without cutout							

*Price per Washbasin base unit. Please attach a sketch to your order. Check your order confirmation of correctness.

CONCEPT LINE Platino 2.0 - model list

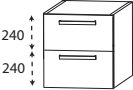
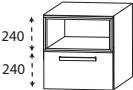
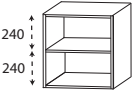
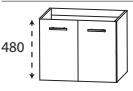
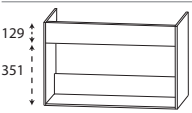
Additional units and accessories - see separate chapter

Depth indication corresponds to the carcass depth		Depth in mm	Width in mm	Height in mm	Article number	Hinge	Surcharge high-gloss carcass
Base units height 480 mm							
	washbasin base unit 1 drawer with buffered closing 1 metal pull out unit with buffered closing and rail from 300 mm depth, drawers 260 mm deep from 340 mm depth, drawers 300 mm deep from 390 mm depth, drawers 350 mm deep						
	300 mm width depth adjustable	470 300-469	300 300	480 480	U T A 3 2 3 0 P 1 U T A 3 2 3 0 P V		
	400 mm wide depth adjustable	470 300-469	400 400	480 480	U T A 3 2 4 0 P 1 U T A 3 2 4 0 P V		
	500 mm width depth adjustable	470 300-469	500 500	480 480	U T A 3 2 5 0 P 1 U T A 3 2 5 0 P V		
	600 mm wide depth adjustable	470 300-469	600 600	480 480	U T A 3 2 6 0 P 1 U T A 3 2 6 0 P V		
	700 mm wide depth adjustable	470 300-469	700 700	480 480	U T A 3 2 7 0 P 1 U T A 3 2 7 0 P V		
	800 mm wide depth adjustable	470 300-469	800 800	480 480	U T A 3 2 8 0 P 1 U T A 3 2 8 0 P V		
	900 mm wide depth adjustable	470 300-469	900 900	480 480	U T A 3 2 9 0 P 1 U T A 3 2 9 0 P V		
	Shelf 1 fixed shelf in carcass colour	150-300 301-470	150-600 150-600	480 480	R V 3 1 V 0 2 R V 3 1 V T 2		
	adjustable in depth und width Cannot be used in the vicinity of the attachment console for the top.						
	Washbasin base unit 1 metal pull-out with buffered closing syphon cut- out central, 1 metal pull-out with buffered closing incl. drawer rail						
	600 mm wide	470	600	480	W U P 3 3 6 0 0 1		
	700 mm wide	470	700	480	W U P 3 3 7 0 0 1		
	800 mm wide	470	800	480	W U P 3 3 8 0 0 1		
	900 mm wide	470	900	480	W U P 3 3 9 0 0 1		
	1000 mm wide	470	1000	480	W U P 3 3 1 0 0 1		
	1200 mm wide including 2 additional attachment consoles PZ 1244 40	470	1200	480	W U P 3 3 1 2 0 1		
	Additional accessories socket element Space-saving drain stench trap DN 40 Space-saving drain stench trap DN 32 Additional price for offset the syphon cutout / without cutout				P Z 1 0 9 5 P Z 1 3 6 7 P Z 1 4 2 3		

*Price per Washbasin base unit. Please attach a sketch to your order. Check your order confirmation of correctness.

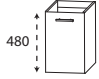
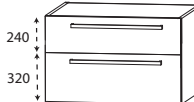
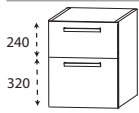
CONCEPT LINE Platino 2.0 - model list

Additional units and accessories - see separate chapter

	Depth in mm	Width in mm	Height in mm	Article number	Hinge	Surcharge high-gloss carcass
Depth indication corresponds to the carcass depth						
Base units height 480 mm						
 <p>240 240</p>	washbasin base unit 2 metal pull-outs with buffered closing from 300 mm depth, drawers 260 mm deep from 340 mm depth, drawers 300 mm deep from 390 mm depth, drawers 350 mm deep					
	300 mm wide	470	300	480	UTA 3 3 3 0 P 1	
	depth adjustable	300-469	300	480	UTA 3 3 3 0 P V	
	400 mm wide	470	400	480	UTA 3 3 4 0 P 1	
	depth adjustable	300-469	400	480	UTA 3 3 4 0 P V	
	500 mm wide	470	500	480	UTA 3 3 5 0 P 1	
	depth adjustable	300-469	500	480	UTA 3 3 5 0 P V	
	600 mm wide	470	600	480	UTA 3 3 6 0 P 1	
	depth adjustable	300-469	600	480	UTA 3 3 6 0 P V	
	700 mm wide	470	700	480	UTA 3 3 7 0 P 1	
depth adjustable	300-469	700	480	UTA 3 3 7 0 P V		
800 mm wide	470	800	480	UTA 3 3 8 0 P 1		
depth adjustable	300-469	800	480	UTA 3 3 8 0 P V		
900 mm wide	470	900	480	UTA 3 3 9 0 P 1		
depth adjustable	300-469	900	480	UTA 3 3 9 0 P V		
 <p>240 240</p>	Shelf 1 push-back shelf above please note the accent decor for plug-in shelf no. 501 white matt lacquered no. 547 black matt lacquered 1 metal pull-out with buffered closing					
	300 mm wide	470	300	480	UTA 3 7 3 A 0 1	
	400 mm wide	470	400	480	UTA 3 7 4 A 0 1	
	500 mm wide	470	500	480	UTA 3 7 5 A 0 1	
	600 mm wide	470	600	480	UTA 3 7 6 A 0 1	
 <p>240 240</p>	Shelf 1 fixed shelf in carcass colour					
	adjustable in depth und width	150-300 301-470	150-600 150-600	480 480	R V 3 1 V 0 1 R V 3 1 V T 1	
 <p>480</p>	Washbasin base unit 2 doors depth adjustable					
	600 mm wide	200-470	600	480	WUA 3 1 6 0 1 V	
	800 mm wide	200-470	800	480	WUA 3 1 8 0 1 V	
 <p>129 351</p>	solitaire washbasin base unit 1 fixed carcass panel 129 mm high variable in width					
	Additional accessories Design installationsset chrome:	485	600-1000	480	WUA 3 0 X X 4 8 P Z 1 3 8 9 1 E	

CONCEPT LINE Platino 2.0 - model list

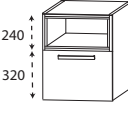
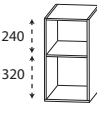
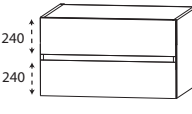
Additional units and accessories - see separate chapter

Depth indication corresponds to the carcass depth		Depth in mm	Width in mm	Height in mm	Article number	Hinge	Surchar- ge high- gloss carcass	
Base units height 480 mm								
	washbasin base unit 1 door depth adjustable 300 mm wide 400 mm wide	200-470 200-470	300 400	480 480	U T A 3 1 3 0 1 V U T A 3 1 4 0 1 V	L/R L/R		
	Base units height 560 mm							
	Washbasin base unit 1 metal pull-out with buffered closing syphon cut- out central, 1 metal pull-out with buffered closing incl. drawer rail 600 mm wide 700 mm wide 800 mm wide 900 mm wide 1000 mm wide 1200 mm wide including 2 additional attachment consoles PZ 1244 40 Additional accessories socket element Space-saving drain stench trap DN 40 Space-saving drain stench trap DN 32 Additional price for offset the syphon cutout / without cutout	470 470 470 470 470 470	600 700 800 900 1000 1200	560 560 560 560 560 560	W U P 4 2 6 0 0 1 W U P 4 2 7 0 0 1 W U P 4 2 8 0 0 1 W U P 4 2 9 0 0 1 W U P 4 2 1 0 0 1 W U P 4 2 1 2 0 1			
						P Z 1 0 9 5 P Z 1 3 6 7 P Z 1 4 2 3		
		washbasin base unit 2 metal pull-outs with buffered closing from 300 mm depth, drawers 260 mm deep from 340 mm depth, drawers 300 mm deep from 390 mm depth, drawers 350 mm deep 300 mm wide depth adjustable 400 mm wide depth adjustable 500 mm wide depth adjustable 600 mm wide depth adjustable 700 mm wide depth adjustable 800 mm wide depth adjustable 900 mm wide depth adjustable	470 300-469 470 300-469 470 300-469 470 300-469 470 300-469 470 300-469 470 300-469	300 300 400 400 500 500 600 600 700 700 800 800 900 900	560 560 560 560 560 560 560 560 560 560 560 560 560 560	U T A 4 2 3 0 P 1 U T A 4 2 3 0 P V U T A 4 2 4 0 P 1 U T A 4 2 4 0 P V U T A 4 2 5 0 P 1 U T A 4 2 5 0 P V U T A 4 2 6 0 P 1 U T A 4 2 6 0 P V U T A 4 2 7 0 P 1 U T A 4 2 7 0 P V U T A 4 2 8 0 P 1 U T A 4 2 8 0 P V U T A 4 2 9 0 P 1 U T A 4 2 9 0 P V		

*Price per Washbasin base unit. Please attach a sketch to your order. Check your order confirmation of correctness.

CONCEPT LINE Platino 2.0 - model list

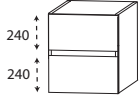
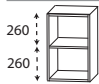
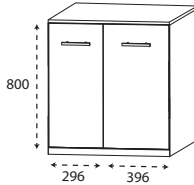
Additional units and accessories - see separate chapter

Depth indication corresponds to the carcass depth		Depth in mm	Width in mm	Height in mm	Article number	Hinge	Surchar- ge high- gloss carcass
Base units height 560 mm							
	washbasin base unit 1 push-back shelf above please note the accent decor for plug-in shelf no. 501 white matt lacquered no. 547 black matt lacquered 1 metal pull-out with buffered closing incl. drawer rail						
	300 mm wide	470	300	560	U T A 4 7 3 A 0 1		
	400 mm wide	470	400	560	U T A 4 7 4 A 0 1		
	500 mm wide	470	500	560	U T A 4 7 5 A 0 1		
	600 mm wide	470	600	560	U T A 4 7 6 A 0 1		
	Shelf 1 fixed shelf in carcass colour adjustable in depth und width Cannot be used in the vicinity of the attachment console for the top.	150-300	150-600	560	R V 4 3 V 0 1		
		301-470	150-600	560	R V 4 3 V T 1		
Base units handleless height 520 mm							
	Washbasin base unit 1 metal pull-out with buffered closing syphon cut- out central, 1 metal pull-out with buffered closing incl. drawer rail						
	600 mm wide	470	600	520	W U P 3 3 6 0 G L		
	700 mm wide	470	700	520	W U P 3 3 7 0 G L		
	800 mm wide	470	800	520	W U P 3 3 8 0 G L		
	900 mm wide	470	900	520	W U P 3 3 9 0 G L		
	1000 mm wide	470	1000	520	W U P 3 3 1 0 G L		
	1200 mm wide	470	1200	520	W U P 3 3 1 2 G L		
Additional accessories socket element Space-saving drain stench trap DN 40 Space-saving drain stench trap DN 32 Additional price for offset the syphon cutout / without cutout					P Z 1 0 9 5 P Z 1 3 6 7 P Z 1 4 2 3		

*Price per Washbasin base unit. Please attach a sketch to your order. Check your order confirmation of correctness.



CONCEPT LINE Platino 2.0 - model list

Additional units and accessories - see separate chapter

	Depth in mm	Width in mm	Height in mm	Article number	Hinge	Surcharge high-gloss carcass	
Depth indication corresponds to the carcass depth							
Base units handleless height 520 mm							
	washbasin base unit 2 metal pull-outs with buffered closing from 300 mm depth, drawers 260 mm deep from 340 mm depth, drawers 300 mm deep from 390 mm depth, drawers 350 mm deep						
	300 mm wide depth adjustable	470 300-469	300 300	520 520	U T A 3 3 3 0 G L U T A 3 3 3 0 G V		
	400 mm wide depth adjustable	470 300-469	400 400	520 520	U T A 3 3 4 0 G L U T A 3 3 4 0 G V		
	500 mm wide depth adjustable	470 300-469	500 500	520 520	U T A 3 3 5 0 G L U T A 3 3 5 0 G V		
	600 mm wide depth adjustable	470 300-469	600 600	520 520	U T A 3 3 6 0 G L U T A 3 3 6 0 G V		
	700 mm wide depth adjustable	470 300-469	700 700	520 520	U T A 3 3 7 0 G L U T A 3 3 7 0 G V		
	800 mm wide depth adjustable	470 300-469	800 800	520 520	U T A 3 3 8 0 G L U T A 3 3 8 0 G V		
	900 mm wide depth adjustable	470 300-469	900 900	520 520	U T A 3 3 9 0 G L U T A 3 3 9 0 G V		
		Shelf 1 fixed shelf in carcass colour adjustable in depth und width Cannot be used in the vicinity of the attachment console for the top.		150-300 301-470	150-300 150-600	520 520	R V 3 3 V 0 1 R V 3 3 V T 1
		Washing machine housing					
	Washing machine housing 2 doors 1 removable front panel below 1 top cover 725 mm deep Colour version of top cover corresponds to the carcass colour 4 Feet, adjustable in height (8 mm - 25 mm) Door width: 296 mm / 396 mm		700	700	894-911	W U B S C H R 0 2	
	Washing machine housing Description as above, though without doors and bar handles not available in following carcass colours: no. 139 oak black no. 155 hacienda black no. 169 hacienda grey no. 176 Charleston oak dark No. 179 concrete imitation Important: Carbinet will be delivered disassembled		700	700	894-911	W U B S C H R 0 1	

Please observe the product details of the accessories in the separate index.

CONCEPT LINE Platino 2.0 - model list

Depth indication corresponds to the carcass depth		Depth in mm	Width in mm	Height in mm	Article number	Hinge	Surchar- ge high- gloss carcass
Side doublings with metall section for washbasin, & plate-base-units							
 <p>side doubling with metall section metal section for washbasin base units and base units for washbasin plates in black matt with 1 carcass-panel Price per item</p> <p>Please state the carcass colour</p> <p>for 320 mm high washbasin, & plate-base-units</p> <p>for 480 mm high washbasin, & plate-base-units</p> <p>for 560 mm high washbasin, & plate-base-units</p> <p>Please add 20 mm per side doubling for the extension to the washbasin.</p>							
	489	19	320	SDH 4 9 3 2 0 2			
	489	19	480	SDH 4 9 4 8 0 2			
	489	19	560	SDH 4 9 5 6 0 2			
Side doublings with ABS edge for washbasin, & plate-base-units							
 <p>side doubling with ABS edge in carcass colour Price per item</p> <p>for 240 mm high washbasin, & plate-base-units</p> <p>for 320 mm high washbasin, & plate-base-units</p> <p>for 480 mm high washbasin, & plate-base-units</p> <p>for 520 mm high washbasin, & plate-base-units</p> <p>for 560 mm high washbasin, & plate-base-units</p> <p>Please add 30 mm per side doubling for the extension to the washbasin.</p>							
	490	28	240	SWA 4 9 2 4 2 8			
	490	28	320	SWA 4 9 3 2 2 8			
	490	28	480	SWA 4 9 4 8 2 8			
	490	28	520	SWA 4 9 5 2 2 8			
490	28	560	SWA 4 9 5 6 2 8				

CONCEPT LINE Platino 2.0 - panel cut-outs

The order and order confirmation will follow once the sketch has been approved in writing.

Standard cut-outs:

For all washbasins in the programme Laguna Platino 2.0 and Platino 2.0 guest WC:

The cut-outs for standard washbasins are fixed in the positioning of the depth.
Please indicate the positioning in width in mm (outer edge to middle of basin in mm).
The tap holes have a standard diameter of 35 mm.

Customer-specified cut-outs:

A sketch with all dimensions must be enclosed with every order.

The order and order confirmation will follow once the sketch has been approved in writing.

For customer-specified cut-outs on standard washbasins, please state the position of the depth and width in mm (outer edge to middle of basin in mm, rear edge to middle of basin in mm).

For washstands by other manufacturers:

For customer-specified cut-outs for washbasins by other manufacturers, please state the position of the depth and width in mm (outer edge to middle of basin in mm, rear edge to middle of basin in mm).

For cut-outs for washbasins by other manufacturers, please provide the name and exact item number of the washbasin.

A drill hole for taps can be made for customer-specified cut-outs for washbasins by other manufacturers.

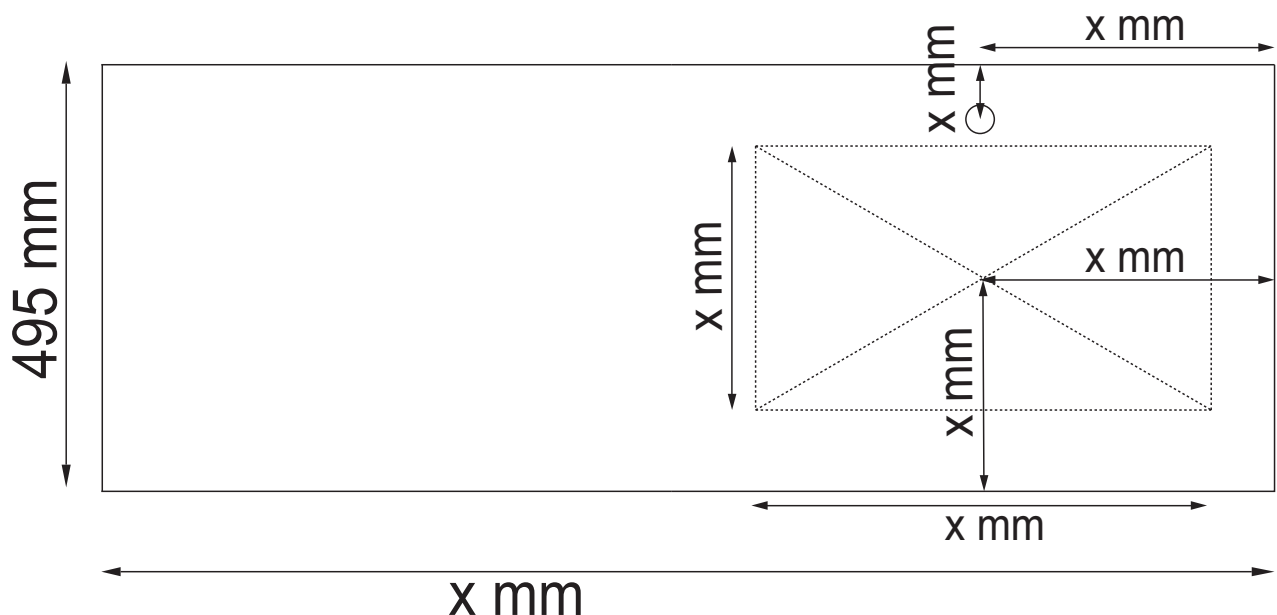
Please provide the dimensions and the position of the depth and width in mm (outer edge to middle of drill hole in mm, rear edge to middle of drill hole in mm).

Ordering information

The following sketch of the cut-out is for illustrative purposes only.

Please send such a sketch of the cut-out of an panel with every order.

Sketch of example:



An order form is available from your Laguna service team or at www.laguna-badwelten.de under the dealer login.

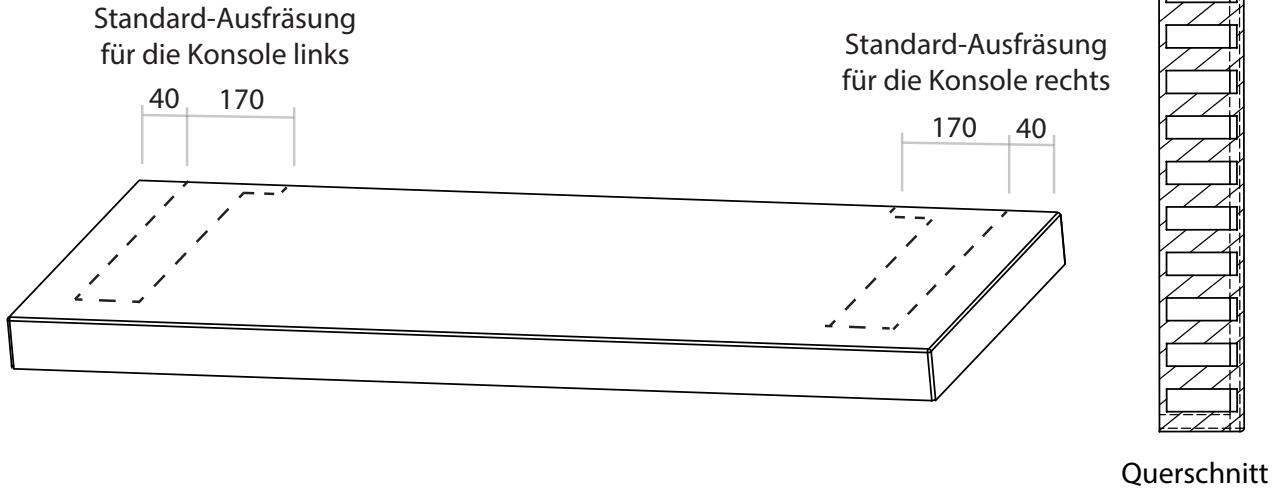
Laguna Platino 2.0 - washbasin plate

Characteristics 60 mm high washbasin plate

Thermofoiled washbasin top:

washbasin plate thermo coated 60 mm high
18 mm thick with a 3 mm edge radius - weight reduced

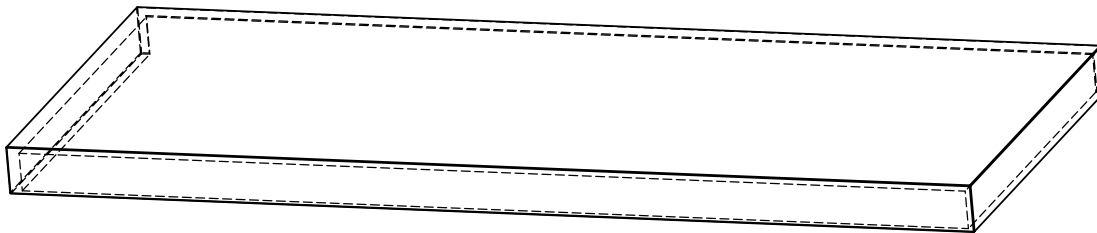
Sketch of example:



Qsolid washbasin top:

washbasin plate Qsolid 60 mm high
60 mm thick bevelled on a chamfer

Sketch of example:



Qsolid

Laguna Platino 2.0 - ordering aid

If you have any further questions, our service team will be happy to help you!

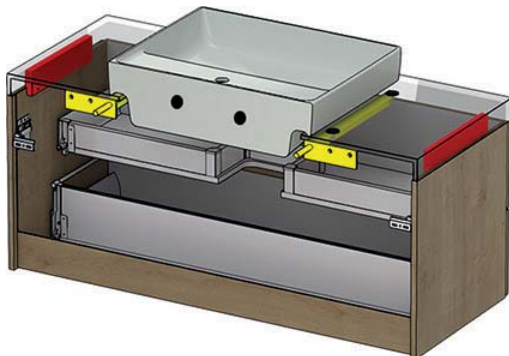
Surface-mounted Qsolid washbasin top:

Surface-mounted Qsolid washbasin top 60 mm in combination with the spacers PZ DZAG



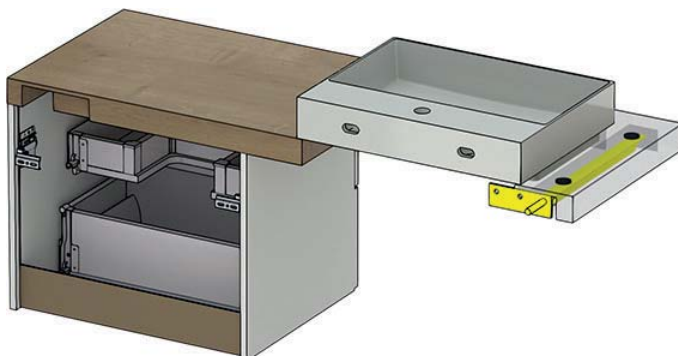
120 cm wide washbasin base unit:

The yellow brackets are included with the 120 cm wide vanity unit. We also recommend ordering the console
We also recommend ordering the PZ 1244 40 bracket for smaller vanity units if the washbasin rests on the top and is not fixed to the wall.



Thermoformed washbasin top:

The plate is equipped with two cutouts for the brackets as standard. For surface mounting, a bracket is not necessary.

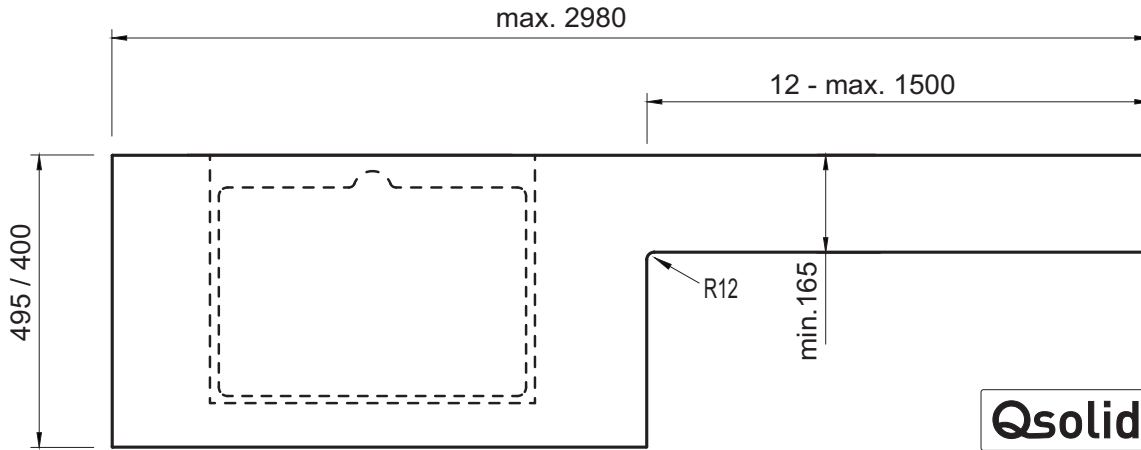


Laguna Platino 2.0 - ordering aid

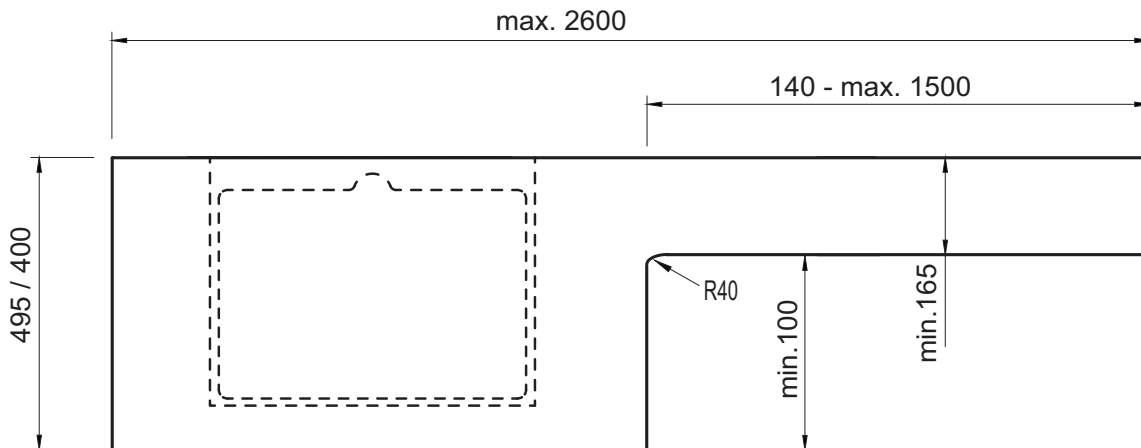
The order and order confirmation will follow once the sketch has been approved in writing.

Please send such a sketch of the return of an panel with every order.

Qsolid plate WP S51V PO with return right WPS 51RS R:



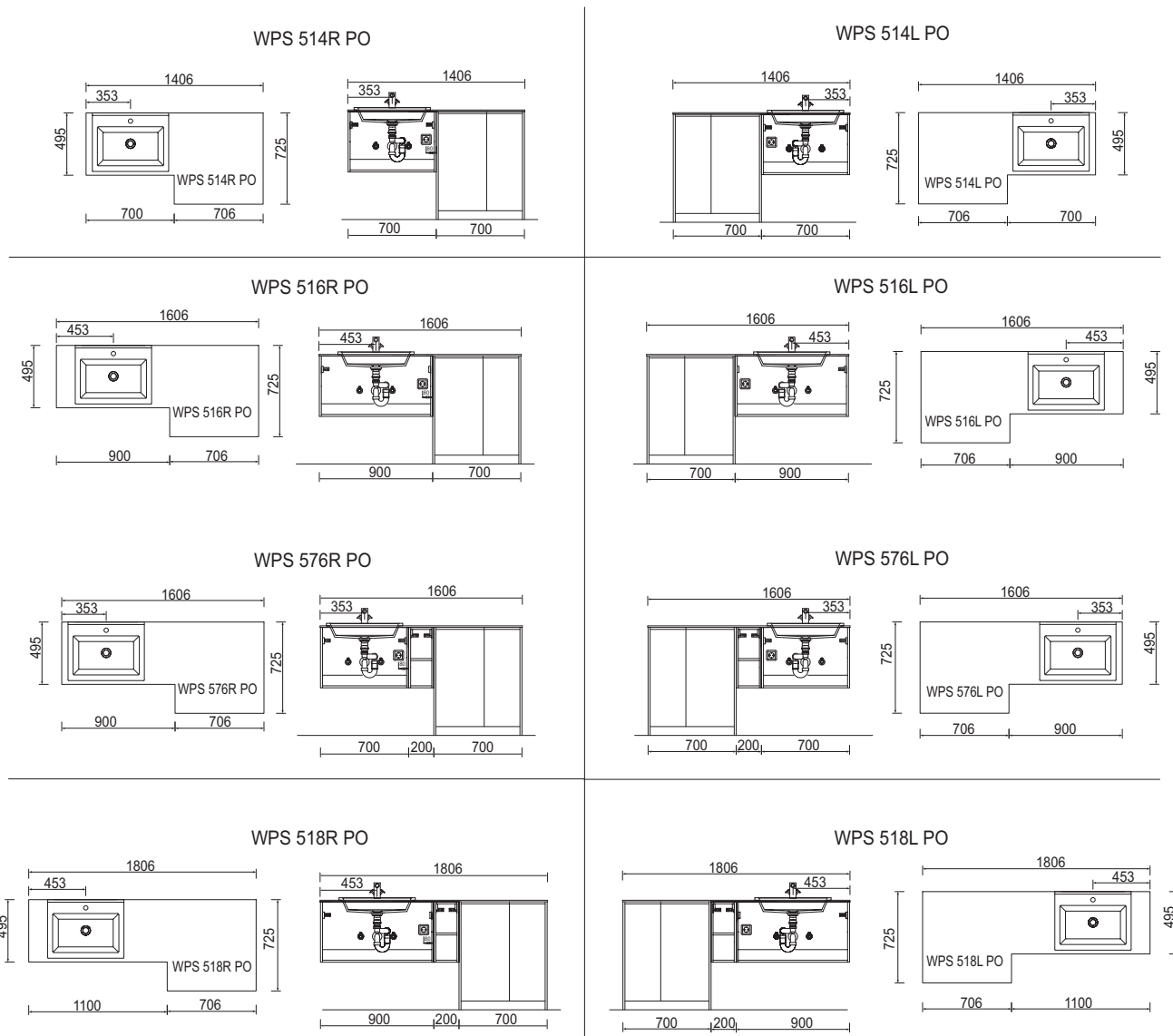
Washbasin top APN 60V 28 with return right APN 60RS R:



An order form is available from your Laguna service team or at www.laguna-badwelten.de under the dealer login.

CONCEPT LINE Platino 2.0 - panel cut-outs washbasin plate „Qsolid“ 12 mm for washing machine housing

incl. washbasin cut-out for: STONEPLUS fitting washbasin

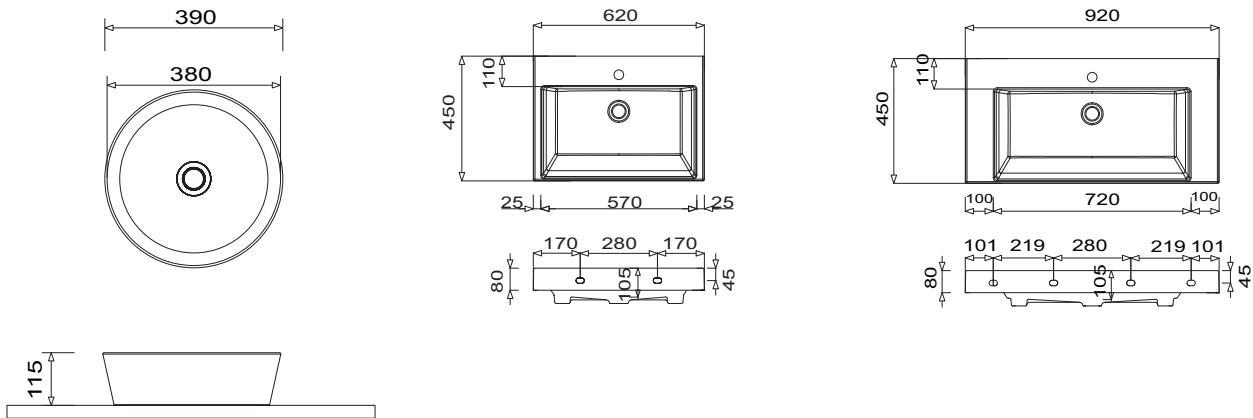


CONCEPT LINE Platino 2.0 - dimensional drawings

Nizza WTA 3900 1

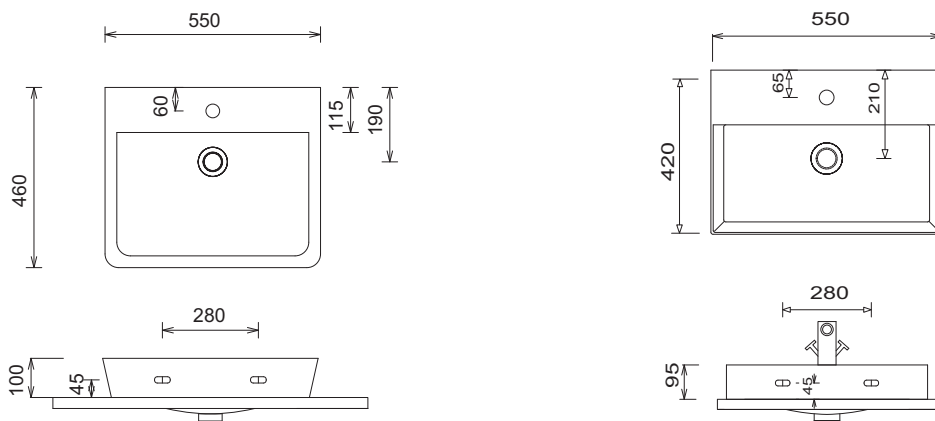
Q!flat WTM 5306 1

Q!flat WTM 5309 1



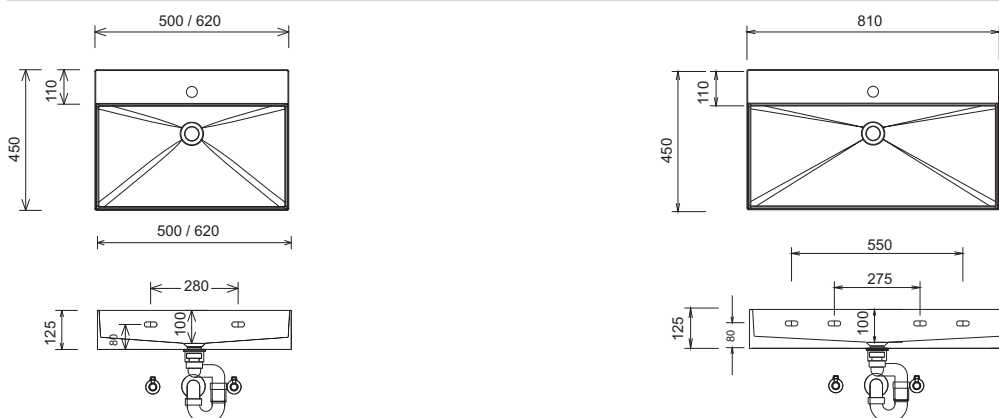
CONNECT AIR WTA 0805

MÁLAGA WTA 4255 1



SQUARED WTM 4805 / WTM 4806 / WTO 4806
Sketch with tap hole

SQUARED WTM 4808 / WTO 4808
Sketch with tap hole



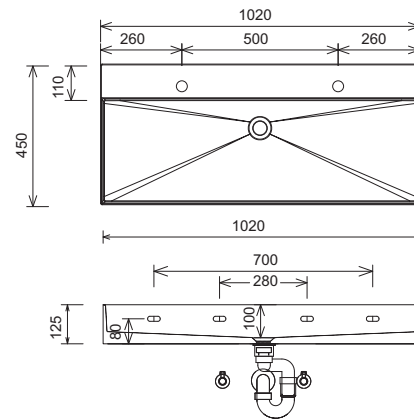
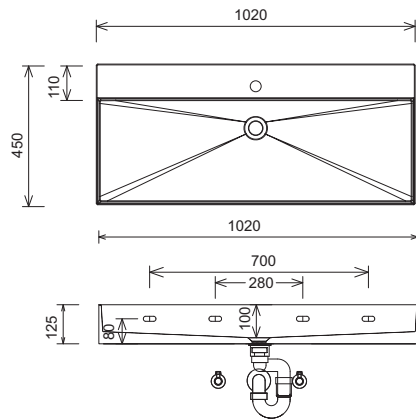
Modifications:
Technical modifications (+/- 5mm) and flatness modifications (DIN 18202) are subject of the usual material-specific modifications for construction materials, based on DIN 18202.

LEGEND
 B = Width of Washbasin base units
 A = Top of the washbasin
 D = Washbasin installation height
 C = Top of washbasin plate
 E = Thickness of washbasin plate
 Y = Top of the base unit
 X = Position wastewater connection

CONCEPT LINE Platino 2.0 - dimensional drawings

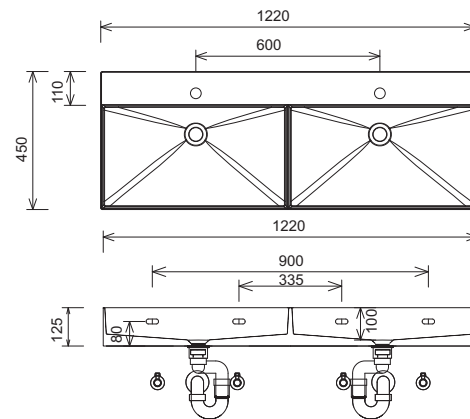
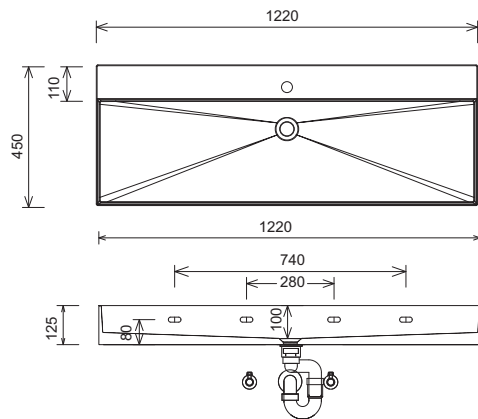
SQUARED WTM 4810 / WTO 4810
Sketch with tap hole

SQUARED WTM 4821



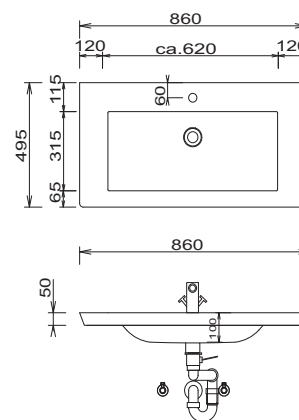
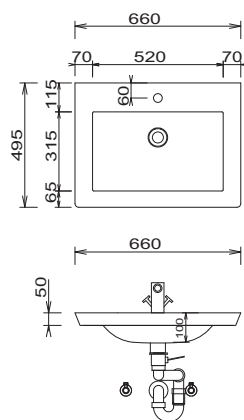
SQUARED WTM 4812 / WTO 4812
Sketch with tap hole

SQUARED WTM 482D / WTO 482D
Sketch with tap hole



Valencia 660

Valencia 860



LEGEND

- B = Width of Washbasin base units
- A = Top of the washbasin
- D = Washbasin installation height
- C = Top of washbasin plate
- E = Thickness of washbasin plate
- Y = Top of the base unit
- X = Position wastewater connection

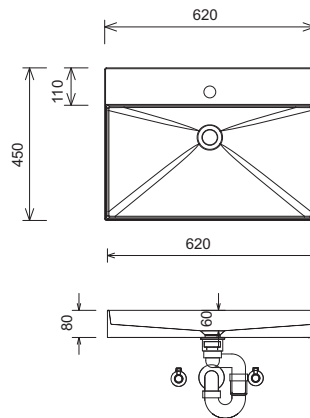
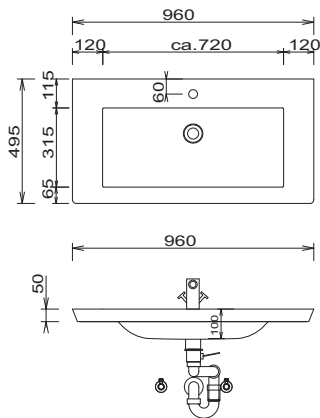
Modifications:

Technical modifications (+/- 5mm) and flatness modifications (DIN 18202) are subject of the usual material-specific modifications for construction materials, based on DIN 18202.

CONCEPT LINE Platino 2.0 - dimensional drawings

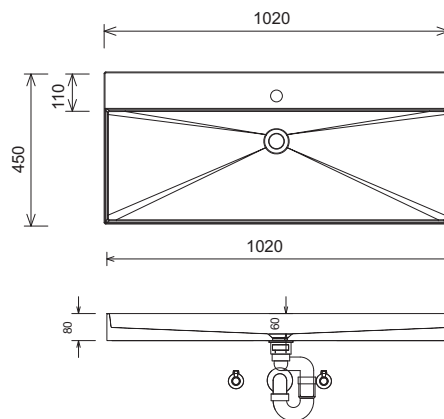
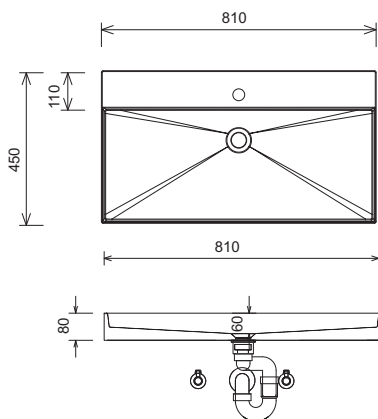
Valencia 960

Till WTM 5006



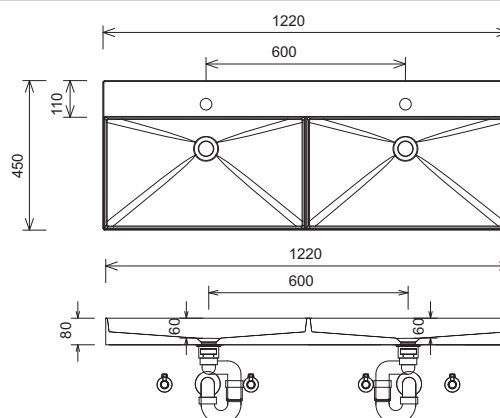
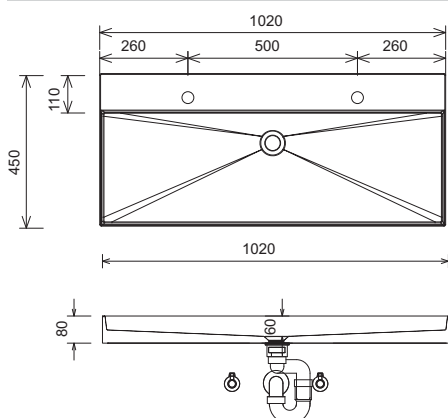
Till WTM 5008

Till WTM 5010



Till WTM 5021

Till WTM 502D



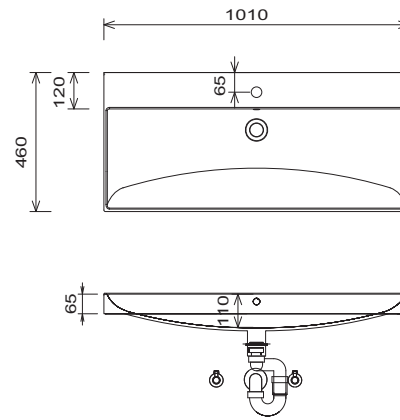
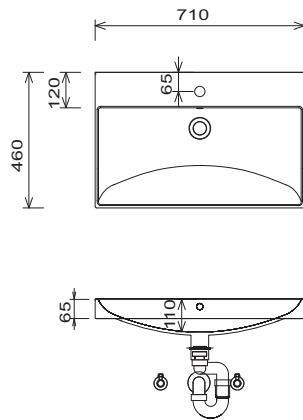
Modifications:
 Technical modifications (+/- 5mm) and flatness modifications (DIN 18202) are subject of the usual material-specific modifications for construction materials, based on DIN 18202.

LEGEND
 B = Width of Washbasin base units
 A = Top of the washbasin
 D = Washbasin installation height
 C = Top of washbasin plate
 E = Thickness of washbasin plate
 Y = Top of the base unit
 X = Position wastewater connection

CONCEPT LINE Platino 2.0 - dimensional drawings

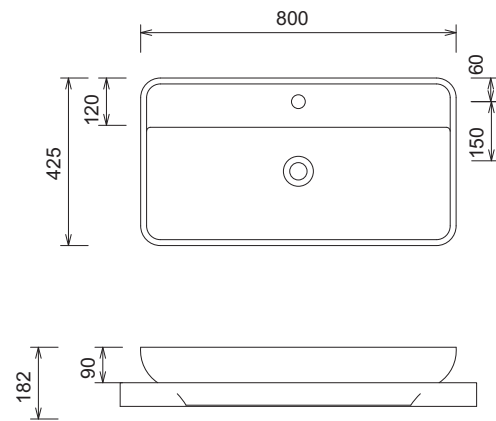
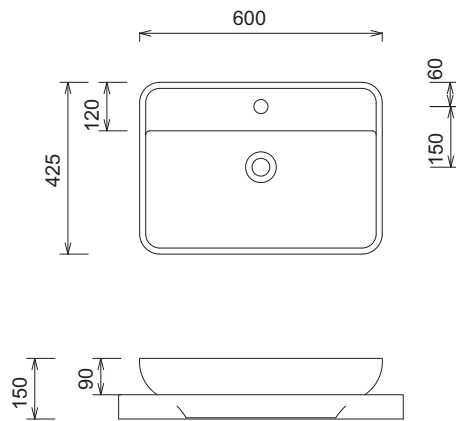
K-Line WTM 5107 1

K-Line WTM 5110 1



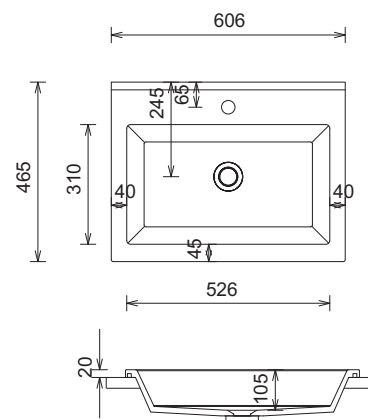
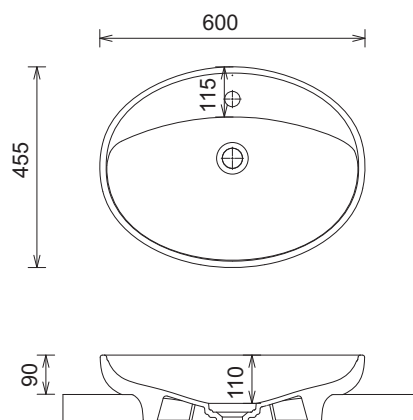
MELBOURNE WTA 1104

MELBOURNE WTA 1105



MELBOURNE WTA 1107

Madeira WTA 336E 61



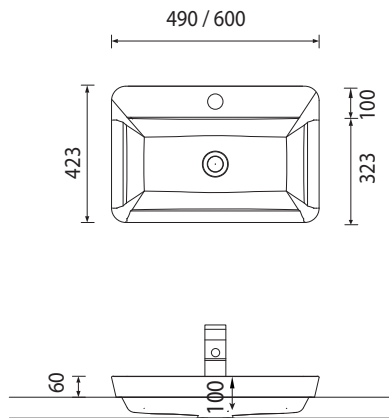
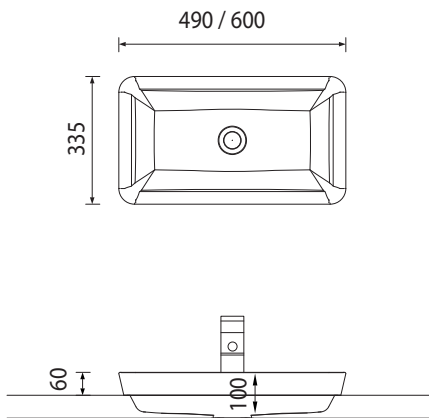
LEGEND
 B = Width of Washbasin base units
 A = Top of the washbasin
 D = Washbasin installation height
 C = Top of washbasin plate
 E = Thickness of washbasin plate
 Y = Top of the base unit
 X = Position wastewater connection

Modifications:
 Technical modifications (+/- 5mm) and flatness modifications (DIN 18202) are subject of the usual material-specific modifications for construction materials, based on DIN 18202.

CONCEPT LINE Platino 2.0 - dimensional drawings

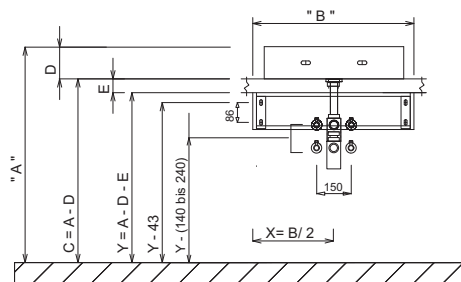
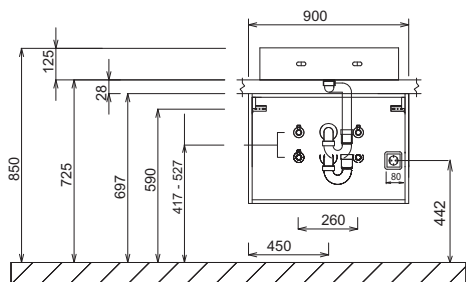
Havana WTA S101 / WTA S102

Toronto WTA S111 / WTA S112



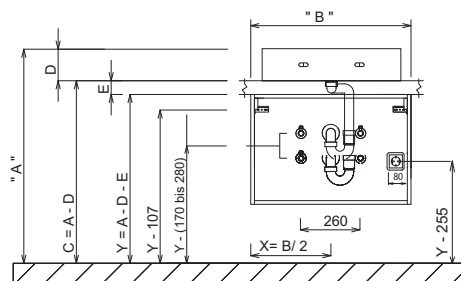
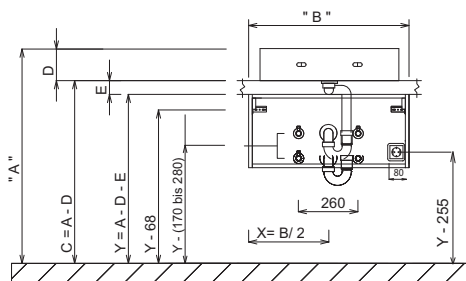
ASSEMBLY EXAMPLE
Washbasin base unit height 480 mm / washbasin Squared 620

Washbasin base unit height 160 mm & height 240 mm



Washbasin base unit height 320 mm

Washbasin base unit height 480 mm, 520 mm & 560 mm

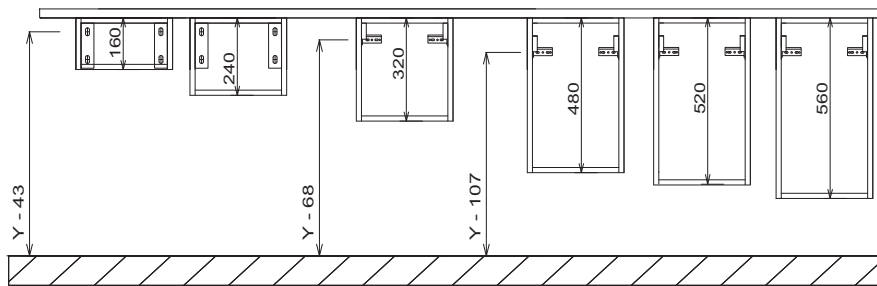


Modifications:
Technical modifications (+/- 5mm) and flatness modifications (DIN 18202) are subject of the usual material-specific modifications for construction materials, based on DIN 18202.

LEGEND
B = Width of Washbasin base units
A = Top of the washbasin
D = Washbasin installation height
C = Top of washbasin plate
E = Thickness of washbasin plate
Y = Top of the base unit
X = Position wastewater connection

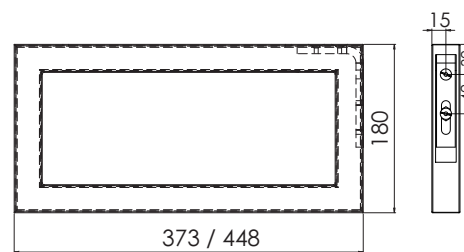
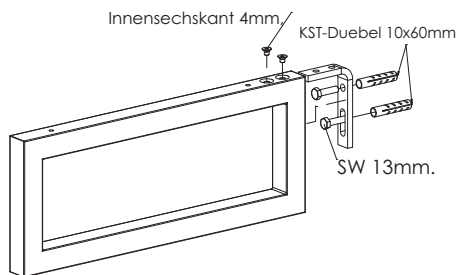
CONCEPT LINE Platino 2.0 - dimensional drawings

Base units for washbasin plates



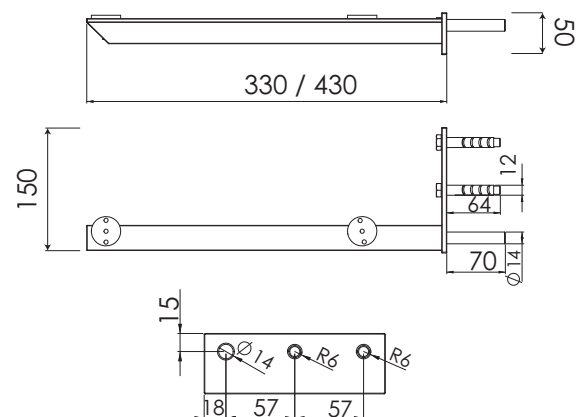
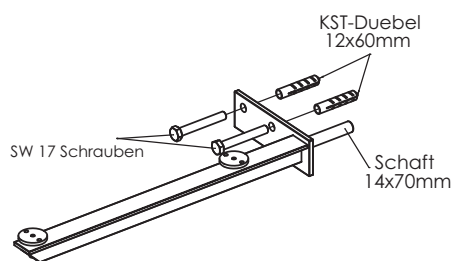
Towel holder console
PZ 1133 49/40 & PZ 1233 49/40

Towel holder console
PZ 1133 49/40 & PZ 1233 49/40



Console for washbasin tops
PZ 1244 50/40

Console for washbasin tops
PZ 1244 50/40



LEGEND

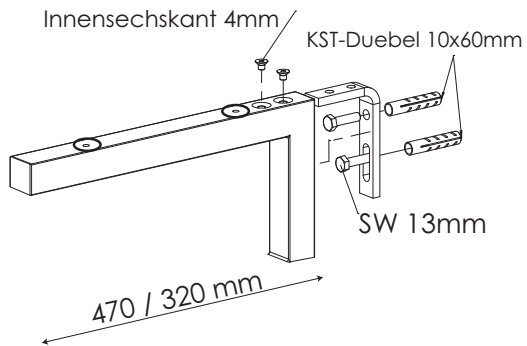
- B = Width of Washbasin base units
- A = Top of the washbasin
- D = Washbasin installation height
- C = Top of washbasin plate
- E = Thickness of washbasin plate
- Y = Top of the base unit
- X = Position wastewater connection

Modifications:

Technical modifications (+/- 5mm) and flatness modifications (DIN 18202) are subject of the usual material-specific modifications for construction materials, based on DIN 18202.

CONCEPT LINE Platino 2.0 - dimensional drawings

L-Console for washbasin tops
PZ 1118 49/40 & PZ 1218 49/40



Modifications:

Technical modifications (+/- 5mm) and flatness modifications (DIN 18202) are subject of the usual material-specific modifications for construction materials, based on DIN 18202.

LEGEND

B = Width of Washbasin base units
A = Top of the washbasin
D = Washbasin installation height
C = Top of washbasin plate
E = Thickness of washbasin plate
Y = Top of the base unit
X = Position wastewater connection