

Delivery time: 6 weeks / special washbasins 8 weeks



Reflex

program 512



Front colours

F foiled front

M Melamine coated front with ABS-edge



No. 679 concrete imitation



No. 764 Stonegrey matt



No. 777 cosmos grey matt



No. 793 noble white matt



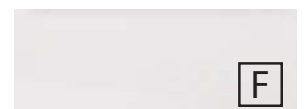
No. 891 quarz grey matt



No. 893 titanium grey matt



No. 686 anthracite hgl.



No. 722 polar white hgl.



No. 755 hacienda black



No. 769 hacienda grey

Expiry 12/2023



No. 639 Oak Black



no. 670 Halifax oak



no. 680 Charleston oak



No. 750 cardiff oak



no. 751 Cuneo oak brown



no. 771 Cuneo oak natural



no. 776 Charleston oak dark



Nr. 785 natural oak



no. 794 sand oak

carcass colours

* High gloss carcass for an additional price



No. 179
concrete imitation



No. 164
Stonegrey matt



No. 177
cosmos grey matt



No. 111
white matt



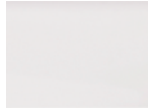
no. 191
quarz grey matt



No. 193
titanium grey matt



*no. 121
anthracite hgl.



*no. 161
white hgl.



no. 155
hacienda black



no. 169
hacienda grey
Expiry 12/2023



No. 139 Oak Black



no. 170
Halifax oak



no. 180
Charleston oak



no. 150
cardiff oak



no. 151
Cuneo oak brown



no. 171 Cuneo
oak natural



no. 176
Charleston oak dark



Nr. 185
natural oak



no. 194
sand oak

Washbasin colours

STONEPLUS washbasins



No. 61 Shape
white



No. 61 Straight
white

Glass washbasin



no. 82
optiwhite



no. 92
optiwhite matt



no. 98
black matt

Handle versions

Standard handle



No. 540 bar handle chrome / matt chrome

Optional handles



No. 529
Strip handle chrome



no. 538
Strip handle aluminium matt



No. 539
Strip handle black matt

Accent decors for plug-in shelf



no. 501
white matt lacquered



no. 547
black matt lacquered



pull-out element

Pull out with premium soft close

door with integrated buffered closing





Illustrations and specifications are without obligation. Technical modifications reserved.

2023/2024

Please note the instruction for warranty, mounting and care, and the quality agreements as well, at the beginning of the book.

CONCEPT LINE Reflex - model list



Additional units and accessories - see separate chapter

Depth indication corresponds to the carcass depth		Depth in mm	Width in mm	Height in mm	Article number	Hinge	Surchar- ge high- gloss carcass
STONEPLUS washbasins „Shape“ Standard size							
 STONEPLUS®	STONEPLUS - washbasin „Shape“ colour white incl. CLOU drain and overflow system with white cover cap	535	812	25	WMS 3 5 0 8 6 1		
Standard size	Additional accessories Additional price for Washbasin without tap hole / with 3 holes (acc. to sketch).						
 STONEPLUS®	STONEPLUS - washbasin „Shape“ colour white incl. CLOU drain and overflow system with white cover cap	535	1012	25	WMS 3 5 1 0 6 1		
Standard size	Additional accessories Additional price for Washbasin without tap hole / with 3 holes (acc. to sketch).						
 STONEPLUS®	STONEPLUS - washbasin „Shape“ colour white incl. CLOU drain and overflow system with white cover cap	535	1212	25	WMS 3 5 1 2 6 1		
Standard size	Additional accessories Additional price for Washbasin without tap hole / with 3 holes (acc. to sketch).						
 STONEPLUS®	STONEPLUS double washbasin „Shape“ colour white incl. 2 CLOU drain and overflow systems with white cover caps	535	1712	25	WMS 3 5 2 D 6 1		
Standard size	Additional accessories Additional price for Washbasin without tap hole / with 3 holes (acc. to sketch).						

*Delivery time: 8 weeks. Price per washbasin. Washbasin without tap hole is incompatible with CLOU System. Please check your order confirmation for correctness.

CONCEPT LINE Reflex - model list



Additional units and accessories - see separate chapter

Depth indication corresponds to the carcass depth	Depth in mm	Width in mm	Height in mm	Article number	Hinge	Surcharge high-gloss carcass
STONEPLUS washbasins „Shape“ planable						
 <p>STONEPLUS - variable washbasin „Shape“ colour white incl. CLOU drain and overflow system with white cover cap</p> <p>planable</p> <p>The possible overall length of the washbasin is 2812 mm:</p> <p>base units 812 mm</p> <p>extension left</p> <p>Extention right</p> <p>Price of the extension per metre</p> <p>Additional accessories Surcharge for washbasins without tap-hole or with 3 holes (according to sketch)</p>				<p>WMS 3 5 0 V 6 1</p> <p>WMS 3 5 V L 6 1</p> <p>WMS 3 5 V R 6 1</p>		
 <p>STONEPLUS double washbasin variabel „Shape“ colour white incl. 2 CLOU drain and overflow systems with white cover caps</p> <p>planable</p> <p>The possible overall length of the washbasin is 2812 mm:</p> <p>base units 1412 mm (2 x 706 mm)</p> <p>Extansion middle extension possible for 200 mm, 300 mm, 400 mm, 600 mm</p> <p>extension left</p> <p>Extention right</p> <p>Price of the extension per metre</p> <p>Additional accessories Surcharge for washbasins without tap-hole or with 3 holes (according to sketch)</p>				<p>WMS 3 5 D V 6 1</p> <p>WMS 3 5 V M 6 1</p> <p>WMS 3 5 V L 6 1</p> <p>WMS 3 5 V R 6 1</p>		

*Delivery time: 8 weeks. Price per washbasin. Washbasin without tap hole is incompatible with CLOU System. Please check your order confirmation for correctness.

CONCEPT LINE Reflex - model list

Additional units and accessories - see separate chapter

Depth indication corresponds to the carcass depth	Depth in mm	Width in mm	Height in mm	Article number	Hinge	Surcharge high-gloss carcass
<p>Glass washbasin „Straight“ planable</p>  <p>Glass - variable washbasin „Straight“ incl. CLOU drain and overflow system with glass cover cap</p> <p>The possible overall length of the washbasin is 2012 mm:</p> <p>Colour Optiwhite base units 812 mm extension left Extension right</p> <p>Colour Optiwhite matt base units 812 mm extension left Extension right</p> <p>Colour black matt base units 812 mm extension left Extension right</p> <p>Price of the extension per metre</p> <p>Additional accessories Surcharge for washbasins without tap-hole or with 3 holes (according to sketch)</p> <p>Price of the extension per metre</p>				<p>WGS 2 3 0 V 8 2 WGS 2 3 V L 8 2 WGS 2 3 V R 8 2</p> <p>WGS 2 3 0 V 9 2 WGS 2 3 V L 9 2 WGS 2 3 V R 9 2</p> <p>WGS 2 3 0 V 9 8 WGS 2 3 V L 9 8 WGS 2 3 V R 9 8</p>		
<p>Base units height 240 mm</p>  <p>Washbasin base unit 1 metal pull out unit with buffered closing central</p> <p>700 mm wide 800 mm wide 900 mm wide 1000 mm wide 1200 mm wide 1400 mm wide 1400 mm wide only for double washbasin solutions syphon cut- out left and right</p> <p>Additional accessories Design installationsset chrome: Additional price for offset the syphon cutout / without cutout</p>				<p>WUA 1 1 7 0 0 4 WUA 1 1 8 0 0 4 WUA 1 1 9 0 0 4 WUA 1 1 1 0 0 4 WUA 1 1 1 2 0 4 WUA 1 1 1 4 0 4 WUA 1 1 1 4 D 4</p> <p>P Z 1 3 8 9 1 E</p>		


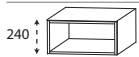
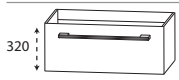
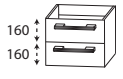
*Delivery time: 8 weeks. Price per washbasin. Washbasin without tap hole is incompatible with CLOU System. Please check your order confirmation for correctness.

Re.6

*Price per Washbasin base unit. Please attach a sketch to your order. Check your order confirmation of correctness.

CONCEPT LINE Reflex - model list

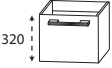
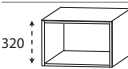

Additional units and accessories - see separate chapter

Depth indication corresponds to the carcass depth		Depth in mm	Width in mm	Height in mm	Article number	Hinge	Surcharge high-gloss carcass
Base units height 240 mm							
	Base unit for washbasin 1 metal pull-out with buffered closing						
	300 mm wide	470	300	240	UTA 1 1 3 0 P 4		
	400 mm wide	470	400	240	UTA 1 1 4 0 P 4		
	500 mm wide	470	500	240	UTA 1 1 5 0 P 4		
	600 mm wide	470	600	240	UTA 1 1 6 0 P 4		
	Shelf in carcass colour adjustable in depth und width	301-470	150-600	240	RV 2 0 V T 1		
	Base units height 320 mm						
	Washbasin base unit 1 metal pull out unit with buffered closing central						
	700 mm wide	470	700	320	WUA 2 8 7 0 0 4		
	800 mm wide	470	800	320	WUA 2 8 8 0 0 4		
	900 mm wide	470	900	320	WUA 2 8 9 0 0 4		
	1000 mm wide	470	1000	320	WUA 2 8 1 0 0 4		
	1200 mm wide	470	1200	320	WUA 2 8 1 2 0 4		
	1400 mm wide	470	1400	320	WUA 2 8 1 4 0 4		
	1400 mm wide only for double washbasin solutions syphon cut- out left and right Additional accessories socket element Space-saving drain stench trap DN 40 Space-saving drain stench trap DN 32 Additional price for offset the syphon cutout / without cutout	470	1400	320	WUA 2 8 1 4 D 4		
				PZ 1 0 9 5 PZ 1 3 6 7 PZ 1 4 2 3			
	Base unit for washbasin 2 metal pull-outs with buffered closing,						
	300 mm wide	470	300	320	UTA 2 5 3 0 0 4		
	400 mm wide	470	400	320	UTA 2 5 4 0 0 4		
	500 mm wide	470	500	320	UTA 2 5 5 0 0 4		
	600 mm wide	470	600	320	UTA 2 5 6 0 0 4		

*Price per Washbasin base unit. Please attach a sketch to your order. Check your order confirmation of correctness.

CONCEPT LINE Reflex - model list

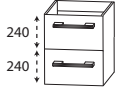
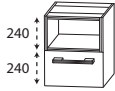
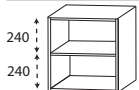
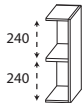
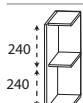
Additional units and accessories - see separate chapter

	Depth in mm	Width in mm	Height in mm	Article number	Hinge	Surchar- ge high- gloss carcass	
Depth indication corresponds to the carcass depth							
Base units height 320 mm							
	Base unit for washbasin 1 metal pull-out with buffered closing						
	300 mm wide	470	300	320	U T A 2 8 3 0 0 4		
	400 mm wide	470	400	320	U T A 2 8 4 0 0 4		
	500 mm wide	470	500	320	U T A 2 8 5 0 0 4		
	600 mm wide	470	600	320	U T A 2 8 6 0 0 4		
	Shelf in carcass colour adjustable in depth und width		301-470	150-600	320	R V 2 1 V T 2	
	Shelf 1 fixed shelf in carcass colour adjustable in depth und width		301-470	150-600	320	R V 2 1 V T 1	
Base units height 480 mm							
	Washbasin base unit 1 metal pull out unit with buffered closing central 1 drawer with buffered closing						
	700 mm wide	470	700	480	W U A 3 3 7 0 0 4		
	800 mm wide	470	800	480	W U A 3 3 8 0 0 4		
	900 mm wide	470	900	480	W U A 3 3 9 0 0 4		
	1000 mm wide	470	1000	480	W U A 3 3 1 0 0 4		
	1200 mm wide	470	1200	480	W U A 3 3 1 2 0 4		
	1400 mm wide	470	1400	480	W U A 3 3 1 4 0 4		
	1400 mm wide	470	1400	480	W U A 3 3 1 4 D 4		
	only for double washbasin solutions syphon cut- out left and right						
	Additional accessories socket element Space-saving drain stench trap DN 40 Space-saving drain stench trap DN 32 Additional price for offset the syphon cutout / without cutout						P Z 1 0 9 5 P Z 1 3 6 7 P Z 1 4 2 3

*Price per Washbasin base unit. Please attach a sketch to your order. Check your order confirmation of correctness.

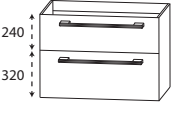


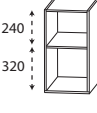
CONCEPT LINE Reflex - model list

Additional units and accessories - see separate chapter

	Depth in mm	Width in mm	Height in mm	Article number	Hinge	Surchar- ge high- gloss carcass
Depth indication corresponds to the carcass depth						
Base units height 480 mm						
	Base unit for washbasin 2 metal pull-outs with buffered closing					
	300 mm width	470	300	480	U T A 3 6 3 0 0 4	
	400 mm wide	470	400	480	U T A 3 6 4 0 0 4	
	500 mm wide	470	500	480	U T A 3 6 5 0 0 4	
	600 mm wide	470	600	480	U T A 3 6 6 0 0 4	
	Base unit for washbasin 1 push-back shelf above 1 metal pull-out with buffered closing please note the accent decor for plug-in shelf no. 501 white matt lacquered no. 547 black matt lacquered					
	300 mm width	470	300	480	U T A 3 7 3 A 0 1	
	400 mm wide	470	400	480	U T A 3 7 4 A 0 1	
	500 mm wide	470	500	480	U T A 3 7 5 A 0 1	
	600 mm wide	470	600	480	U T A 3 7 6 A 0 1	
	Shelf 1 fixed shelf in carcass colour		301-470	150-600	480	R V 3 1 V T 1
	adjustable in depth und width					
	Shelf for washbasin in carcass colour left open 2 shelves 3 LED - milled-in spotlights 3 x 1,9 watt / 3 x 205 lumens / 6300 Kelvin This product contains a light source with energy efficien- cy class: E		486	150	480	R G U 3 0 1 5 L 1
	accessories: LED - converter 15 watt motion sensor for LED lighting		P Z 1 0 7 0 P Z 1 1 4 1			
	Shelf for washbasin in carcass colour right open 2 shelves 3 LED - milled-in spotlights 3 x 1,9 watt / 3 x 205 lumens / 6300 Kelvin This product contains a light source with energy efficien- cy class: E		486	150	480	R G U 3 0 1 5 R 1
	accessories: LED - converter 15 watt motion sensor for LED lighting		P Z 1 0 7 0 P Z 1 1 4 1			

CONCEPT LINE Reflex - model list

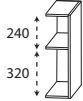
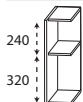
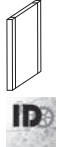
Additional units and accessories - see separate chapter

	Depth in mm	Width in mm	Height in mm	Article number	Hinge	Surcharge high-gloss carcass
Depth indication corresponds to the carcass depth						
Washbasin base units height: 560 mm						
 <p>Washbasin base unit 1 metal pull out unit with buffered closing central 1 metal pull-out with buffered closing</p>						
	700 mm wide	470	700	560	WUA 4 8 7 0 0 4	
	800 mm wide	470	800	560	WUA 4 8 8 0 0 4	
	900 mm wide	470	900	560	WUA 4 8 9 0 0 4	
	1000 mm wide	470	1000	560	WUA 4 8 1 0 0 4	
	1200 mm wide	470	1200	560	WUA 4 8 1 2 0 4	
	1400 mm wide	470	1400	560	WUA 4 8 1 4 0 4	
	1400 mm wide only for double washbasin solutions syphon cut- out left and right	470	1400	560	WUA 4 8 1 4 D 4	
	Additional accessories				P Z 1 0 9 5	
	socket element				P Z 1 3 6 7	
Space-saving drain stench trap DN 40				P Z 1 4 2 3		
Space-saving drain stench trap DN 32						
Additional price for offset the syphon cutout / without cutout						
 <p>Base unit for washbasin 1 drawer with buffered closing 1 metal pull-out with buffered closing</p>						
	300 mm width	470	300	560	UTA 4 8 3 0 0 4	
	400 mm wide	470	400	560	UTA 4 8 4 0 0 4	
	500 mm wide	470	500	560	UTA 4 8 5 0 0 4	
	600 mm wide	470	600	560	UTA 4 8 6 0 0 4	
 <p>Base unit for washbasin 1 push-back shelf above 1 pull-out with buffered closing please note the accent decor for plug-in shelf no. 501 white matt lacquered no. 547 black matt lacquered</p>						
	300 mm width	470	300	560	UTA 4 7 3 A 0 1	
	400 mm wide	470	400	560	UTA 4 7 4 A 0 1	
	500 mm wide	470	500	560	UTA 4 7 5 A 0 1	
	600 mm wide	470	600	560	UTA 4 7 6 A 0 1	
 <p>Shelf 1 fixed shelf in carcass colour adjustable in depth und width</p>	301-470	150-600	560	RV 4 3 V T 1		

*Price per Washbasin base unit. Please attach a sketch to your order. Check your order confirmation of correctness.




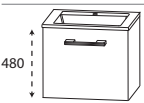
CONCEPT LINE Reflex - model list

Additional units and accessories - see separate chapter

Depth indication corresponds to the carcass depth		Depth in mm	Width in mm	Height in mm	Article number	Hinge	Surcharge high-gloss carcass
<h3>Washbasin base units height: 560 mm</h3>							
	<p>Shelf for washbasin in carcass colour left open 2 shelves 3 LED - milled-in spotlights 3 x 1,9 watt / 3 x 205 lumens / 6300 Kelvin This product contains a light source with energy efficiency class: E</p> <p>accessories: LED - converter 15 watt motion sensor for LED lighting</p>	486	150	560	RGU4015L1		
	<p>Shelf for washbasin in carcass colour right open 2 shelves 3 LED - milled-in spotlights 3 x 1,9 watt / 3 x 205 lumens / 6300 Kelvin This product contains a light source with energy efficiency class: E</p> <p>accessories: LED - converter 15 watt motion sensor for LED lighting</p>	486	150	560	RGU4015R1		
<h3>Side doublings with metall section for washbasin, & plate-base-units</h3>							
	<p>side doubling with metall section metal section for washbasin base units and base units for washbasin plates in black matt with 1 carcass-panel Price per item</p> <p>Please state the carcass colour</p> <p>for 320 mm high washbasin, & plate-base-units</p> <p>for 480 mm high washbasin, & plate-base-units</p> <p>for 560 mm high washbasin, & plate-base-units</p> <p>Please add 20 mm per side doubling for the extension to the washbasin.</p>						
		489	19	320	SDH493202		
		489	19	480	SDH494802		
		489	19	560	SDH495602		

CONCEPT LINE Reflex - model list

Additional units and accessories - see separate chapter

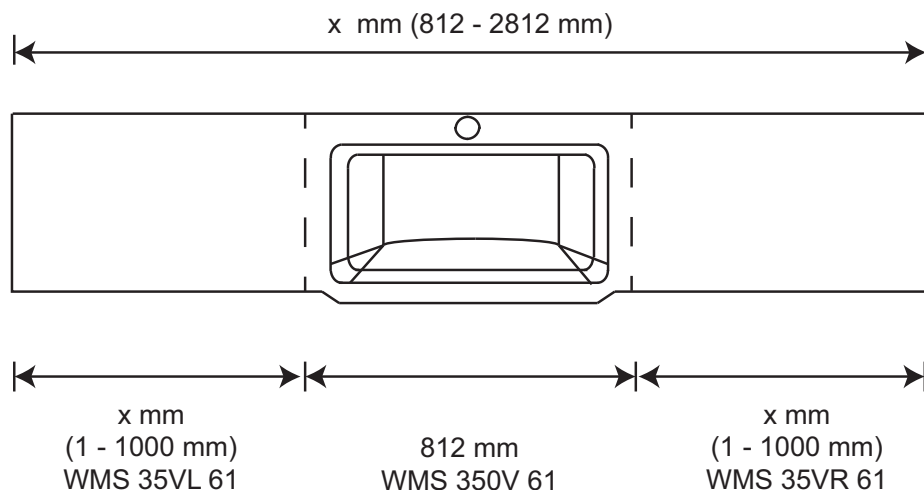
Depth indication corresponds to the carcass depth		Depth in mm	Width in mm	Height in mm	Article number	Hinge	Surcharge high-gloss carcass
<h2>Side doublings with metall foot frame for washbasin, & plate-base-units</h2>							
 	side doubling with metall foot frame Cupboards must also be mounted wall-hung due to the anti-tilt device and stability metal frame for washbasin base units and base units for washbasin plates in black matt with 1 carcass-panel Price per item						
	Please state the carcass colour for 320 mm high washbasin, & plate-base-units	489	19	875	SDH 4 9 8 3 3 2		
	for 560 mm high washbasin, & plate-base-units	489	19	875	SDH 4 9 8 3 5 6		
	Please add 20 mm per side doubling for the extension to the washbasin.						
<h2>Side doublings with ABS edge for washbasin, & plate-base-units</h2>							
	side doubling with ABS edge in carcass colour Price per item						
	for 240 mm high washbasin, & plate-base-units	490	28	240	SWA 4 9 2 4 2 8		
	for 320 mm high washbasin, & plate-base-units	490	28	320	SWA 4 9 3 2 2 8		
	for 480 mm high washbasin, & plate-base-units	490	28	480	SWA 4 9 4 8 2 8		
	for 560 mm high washbasin, & plate-base-units	490	28	560	SWA 4 9 5 6 2 8		
	Please add 28 mm per side doubling for the extension to the washbasin.						
<h2>Set GUEST BATHROOM</h2>							
 Please state the hinge	Consisting of: STONEPLUS washbasin Straight, 512 mm white incl. CLOU drain and overflow system with white cover cap Washbasin base unit 500 mm 1 door	330	512	500	SETFG 5 0 0 6	L/R	
	Additional accessories Space-producing drain stench trap DN 32 Additional price for Washbasin without tap hole / with 3 holes (acc. to sketch).				P Z 1 4 0 7		

*Delivery time: 8 weeks. Price per washbasin. Washbasin without tap hole is incompatible with CLOU System. Please check your order confirmation for correctness.

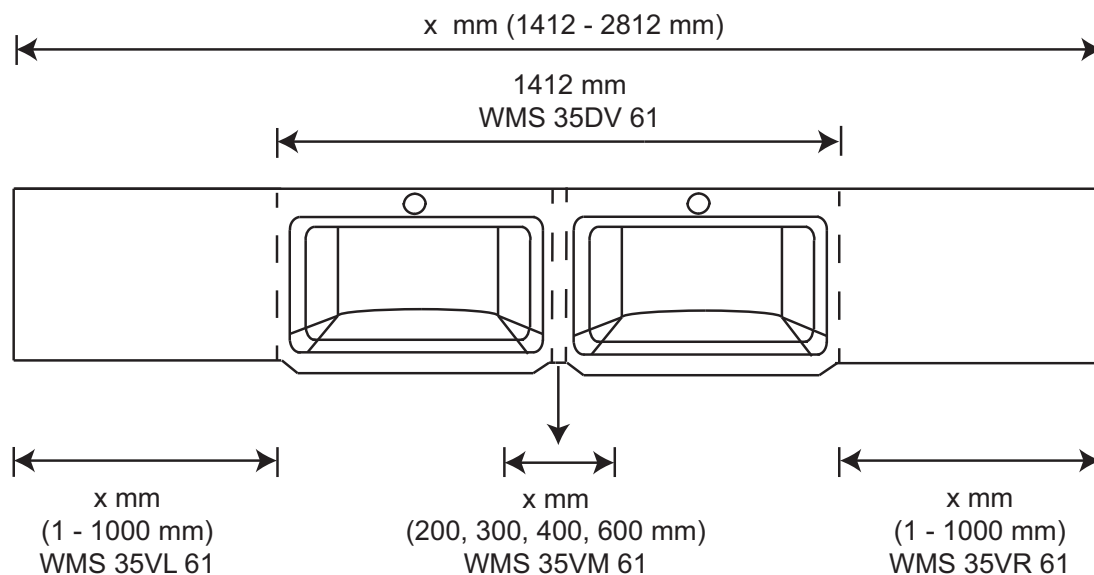
CONCEPT LINE Reflex - ordering aid

An order form is available from your Laguna service team or at www.laguna-badwelten.de under the dealer login.

STONEPLUS - single washbasin „Shape“



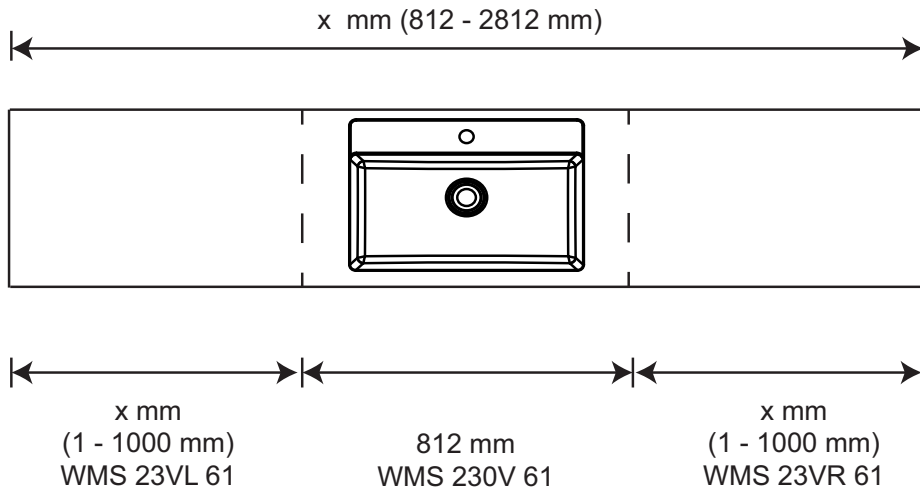
STONEPLUS double washbasin „Shape“



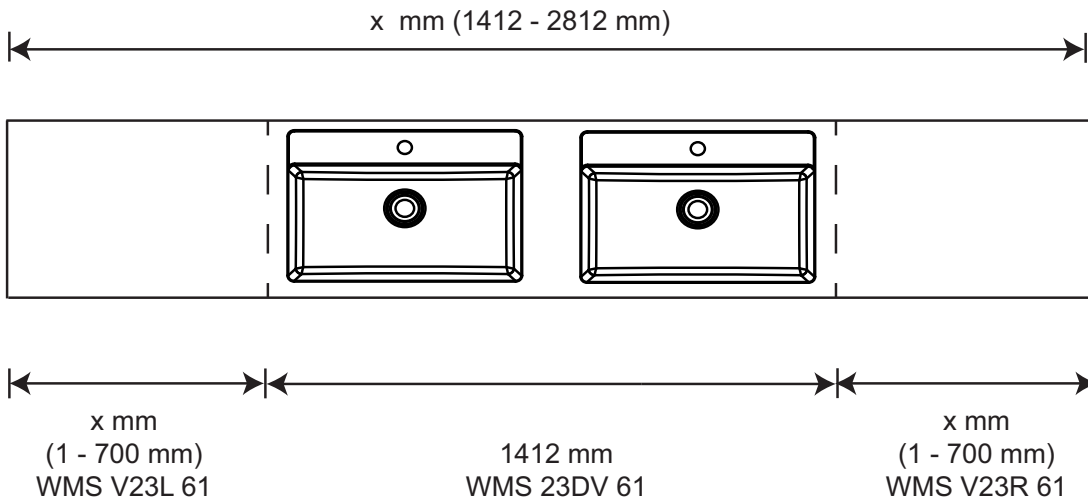
CONCEPT LINE Reflex - ordering aid

An order form is available from your Laguna service team or at www.laguna-badwelten.de under the dealer login.

STONEPLUS - single washbasin „Straight“



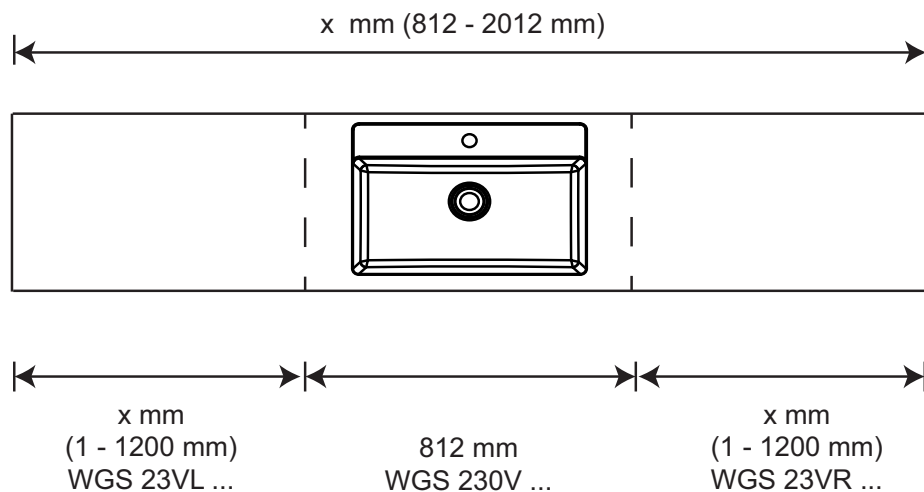
STONEPLUS double washbasin „Straight“



CONCEPT LINE Reflex - ordering aid

An order form is available from your Laguna service team or at www.laguna-badwelten.de under the dealer login.

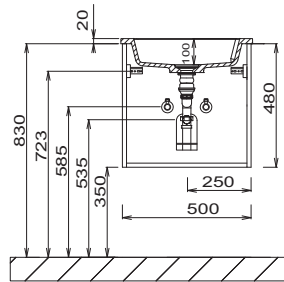
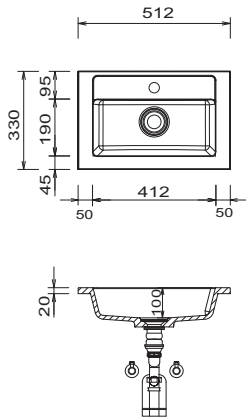
Glass - single washbasin „Straight“



CONCEPT LINE Reflex - dimensional drawings

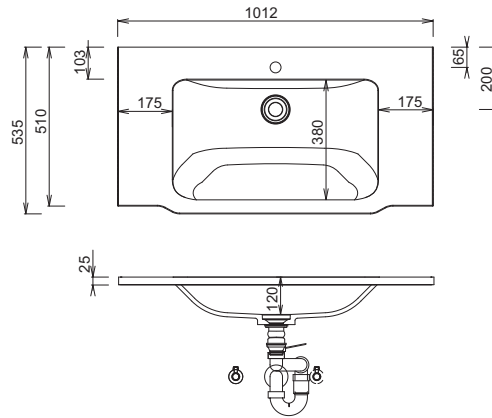
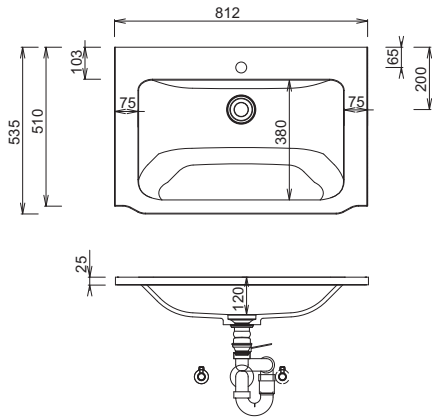
WMS 2305 61 (Straight)

GUEST BATHROOM



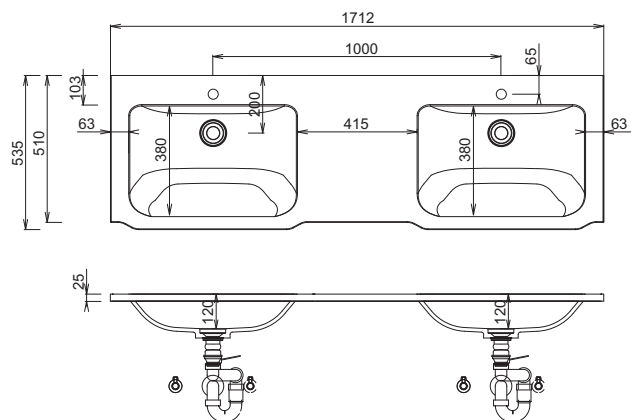
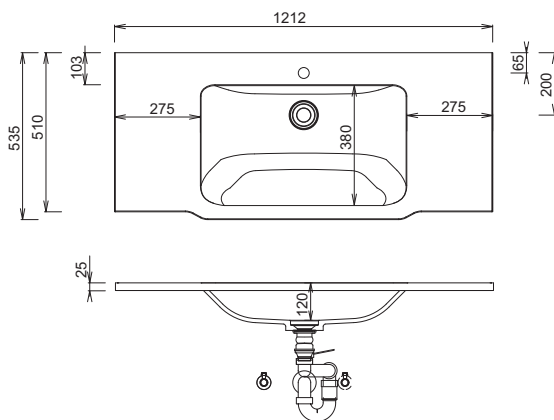
WMS 3508 61

WMS 3510 61



WMS 3512 61

WMS 352D 61



STONEPLUS:

The water temperature must not exceed 55° C / 131° F. Hair tinting lotions have to be removed in a few seconds, so that staining can be avoided.

Modifications:

Technical modifications (+/- 5mm) and flatness modifications (DIN 18202) are subject of the usual material-specific modifications for construction materials, based on DIN 18202.

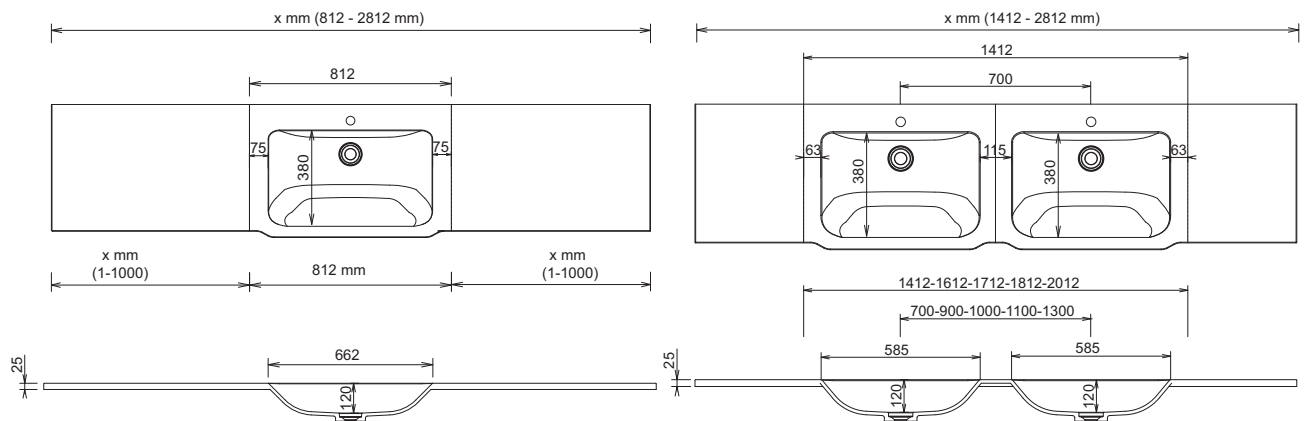
LEGEND

S = STONEPLUS washbasin
G = Glass washbasin
B = Width of Washbasin base units
X = Position wastewater connection

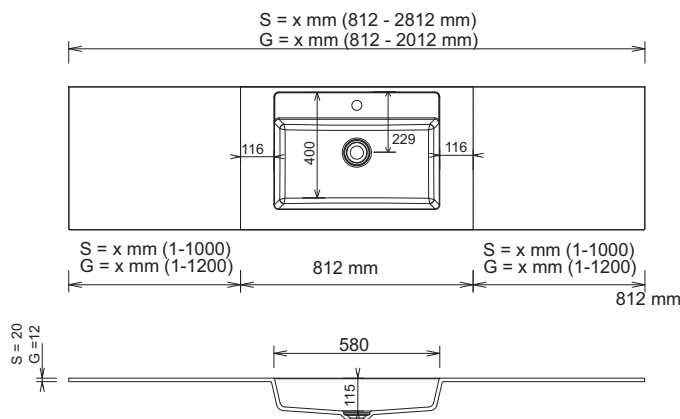
CONCEPT LINE Reflex - dimensional drawings

WMS 350V 61

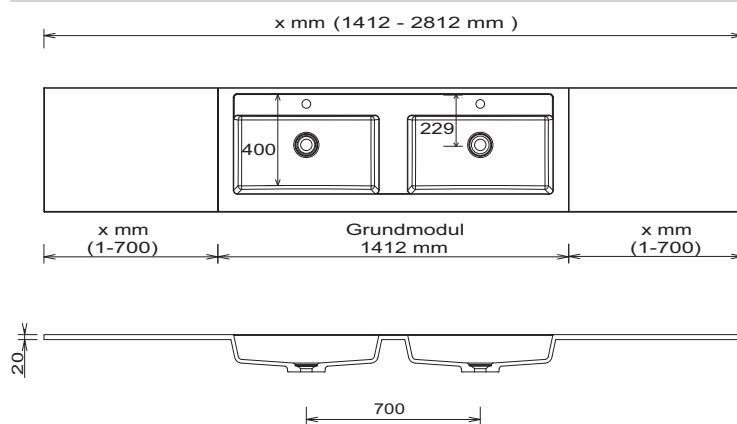
WMS 35DV 61



WMS / WGS 230V



WMS 23DV 61

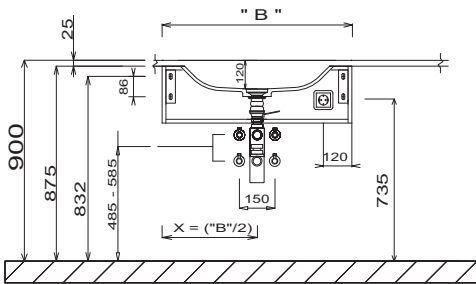


LEGEND
 S = STONEPLUS washbasin
 G = Glass washbasin
 B = Width of Washbasin base units
 X = Position wastewater connection

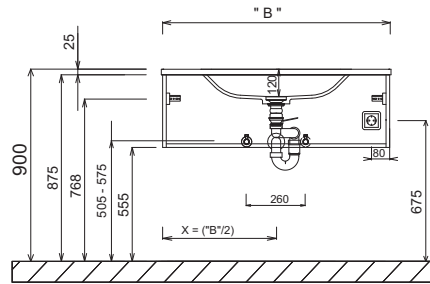
STONEPLUS:
 The water temperature must not exceed 55° C / 131° F. Hair tinting lotions have to be removed in a few seconds, so that staining can be avoided.
Modifications:
 Technical modifications (+/- 5mm) and flatness modifications (DIN 18202) are subject of the usual material-specific modifications for construction materials, based on DIN 18202.

CONCEPT LINE Reflex - dimensional drawings

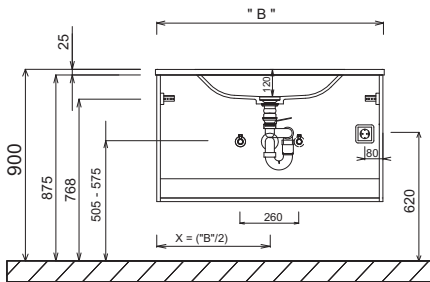
Single washbasin base cabinet height 240 mm
Washbasin height corresponds to the height of the Shape washbasin



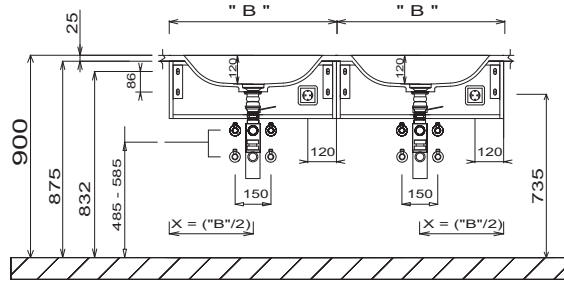
Single washbasin base cabinet height 320 mm
Washbasin height corresponds to the height of the Shape washbasin



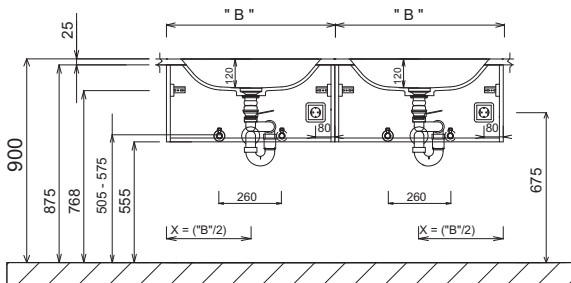
Single washbasin base cabinet height 480 mm & 560 mm
Washbasin height corresponds to the height of the Shape washbasin



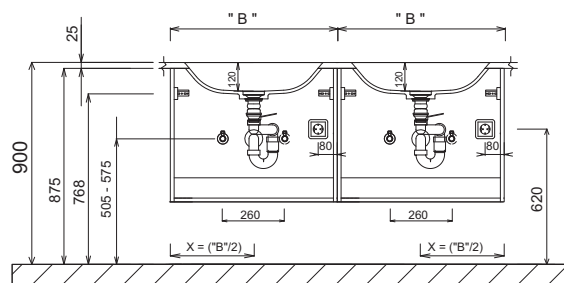
Double washbasin base cabinet height 240 mm
Washbasin height corresponds to the height of the Shape washbasin



Double washbasin base cabinet height 320 mm
Washbasin height corresponds to the height of the Shape washbasin



Double washbasin base cabinet height 480 mm & 560 mm
Washbasin height corresponds to the height of the Shape washbasin



STONEPLUS:

The water temperature must not exceed 55° C / 131° F. Hair tinting lotions have to be removed in a few seconds, so that staining can be avoided.

Modifications:

Technical modifications (+/- 5mm) and flatness modifications (DIN 18202) are subject of the usual material-specific modifications for construction materials, based on DIN 18202.

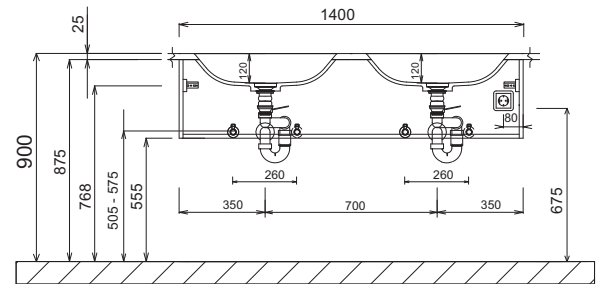
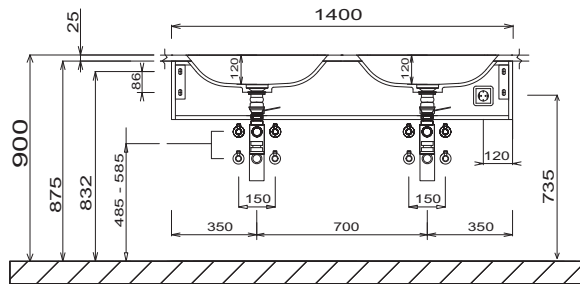
LEGEND

- S = STONEPLUS washbasin
- G = Glass washbasin
- B = Width of Washbasin base units
- X = Position wastewater connection

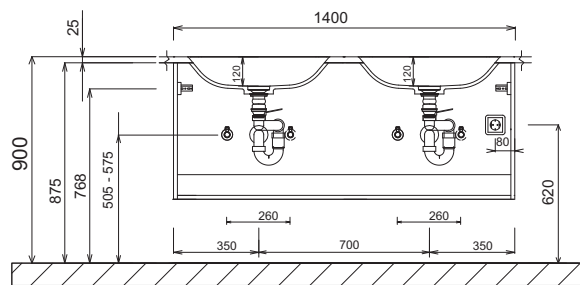
CONCEPT LINE Reflex - dimensional drawings

Double washbasin base cabinet height 240 mm
Washbasin height corresponds to the height of the Shape washbasin

Double washbasin base cabinet height 320 mm
Washbasin height corresponds to the height of the Shape washbasin



Double washbasin base cabinet height 480 mm & 560 mm
Washbasin height corresponds to the height of the Shape washbasin



LEGEND
 S = STONEPLUS washbasin
 G = Glass washbasin
 B = Width of Washbasin base units
 X = Position wastewater connection

STONEPLUS:
 The water temperature must not exceed 55° C / 131° F. Hair tinting lotions have to be removed in a few seconds, so that staining can be avoided.
Modifications:
 Technical modifications (+/- 5mm) and flatness modifications (DIN 18202) are subject of the usual material-specific modifications for construction materials, based on DIN 18202.