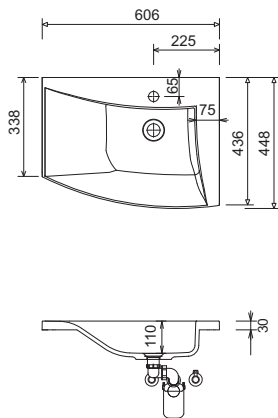
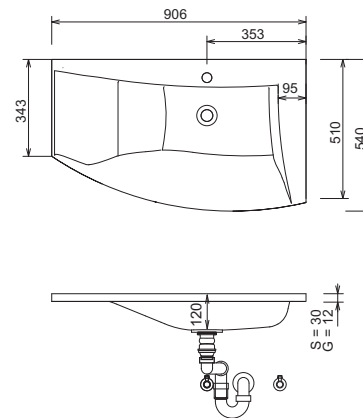


# CONCEPT LINE Wings - dimensional drawings

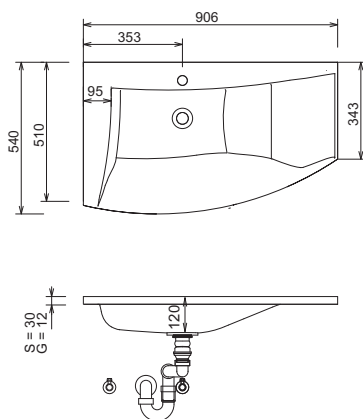
WMS 106L



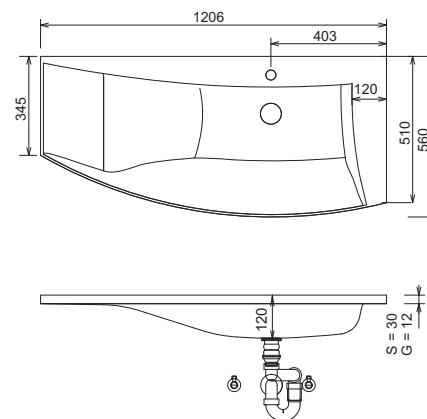
WMS 109L



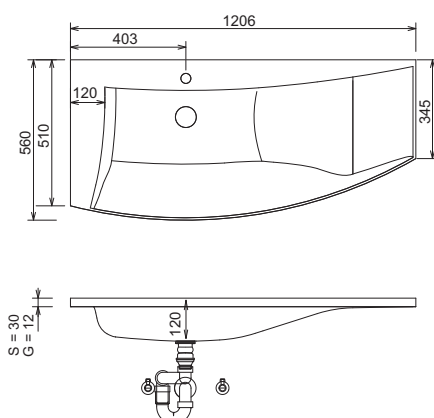
WMS 109R



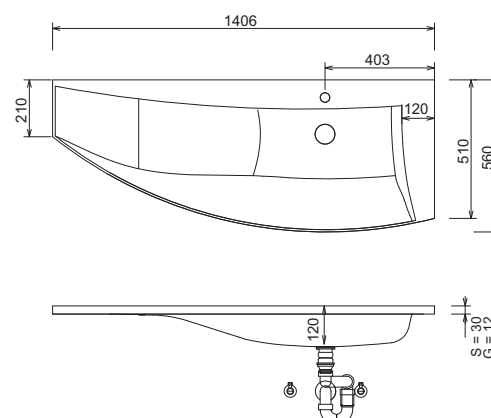
WMS 112L



WMS 112R



WMS 114L



## LEGEND

S = STONEPLUS washbasin  
G = Glass washbasin

**Washing stands without anchoring brackets have to be fixed on the wall and on the furniture-side with silicon!**

**STONEPLUS:**

The water temperature must not exceed 55° C / 131° F. Hair tinting lotions have to be removed in a few seconds, so that staining can be avoided.

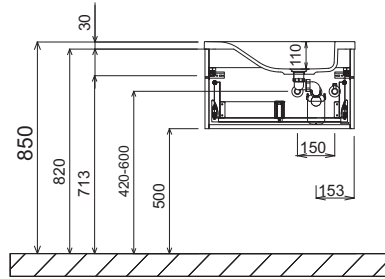
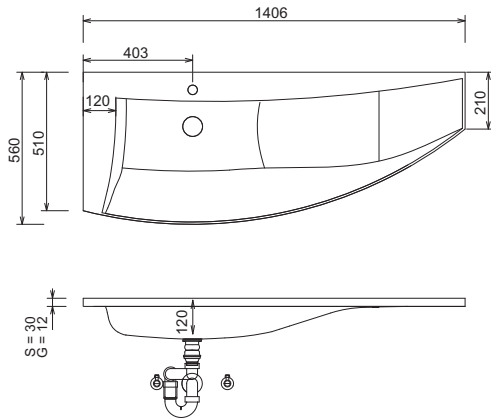
**Modifications:**

Technical modifications (+/- 5mm) and flatness modifications (DIN 18202) are subject of the usual material-specific modifications for construction materials, based on DIN 18202.

# CONCEPT LINE Wings - dimensional drawings

WMS 114R

GUEST BATHROOM

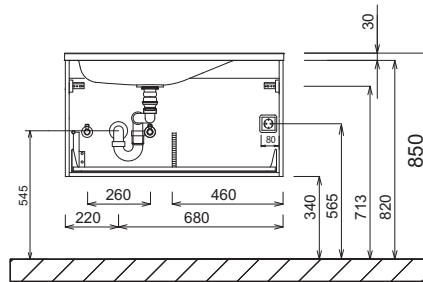
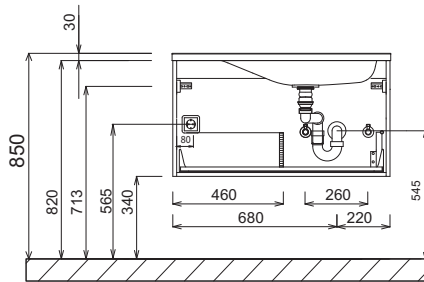


Single washbasin left 900 mm wide

Single washbasin right 900 mm wide

Washbasin height corresponds to the height of the Stoneplus washbasin

Washbasin height corresponds to the height of the Stoneplus washbasin

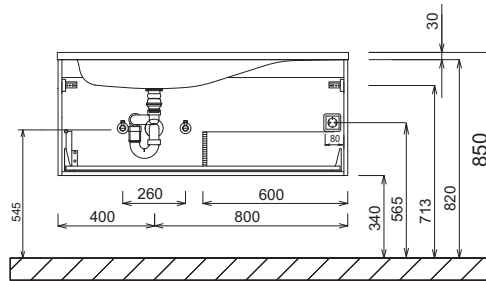
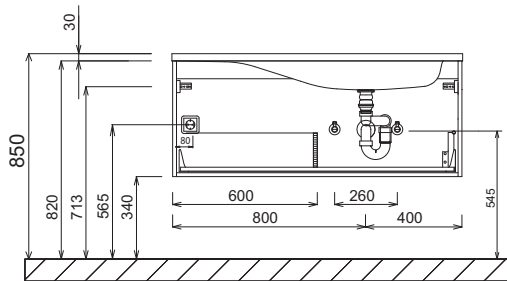


Single washbasin left 1200 mm wide

Single washbasin right 1200 mm wide

Washbasin height corresponds to the height of the Stoneplus washbasin

Washbasin height corresponds to the height of the Stoneplus washbasin



**Washing stands without anchoring brackets have to be fixed on the wall and on the furniture-side with silicon!**

**STONEPLUS:**

The water temperature must not exceed 55° C / 131° F. Hair tinting lotions have to be removed in a few seconds, so that staining can be avoided.

**Modifications:**

Technical modifications (+/- 5mm) and flatness modifications (DIN 18202) are subject of the usual material-specific modifications for construction materials, based on DIN 18202.

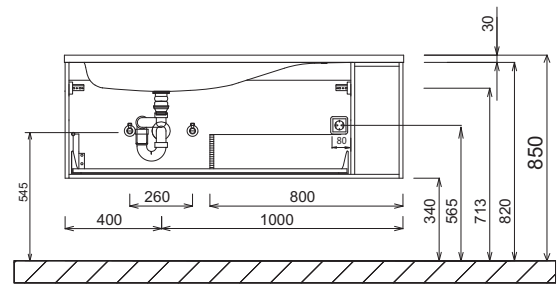
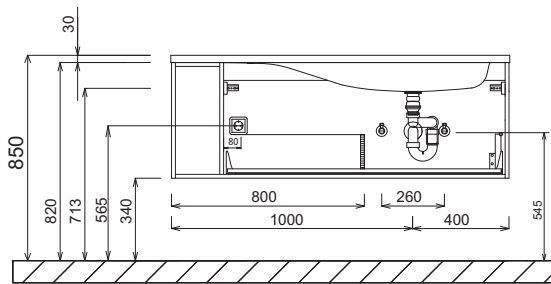
**LEGEND**

S = STONEPLUS washbasin  
G = Glass washbasin

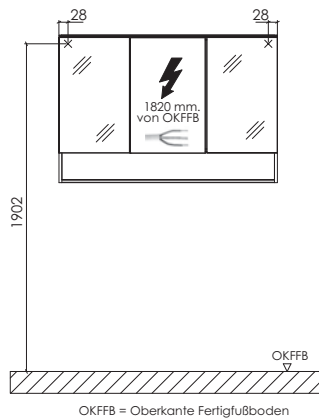
# CONCEPT LINE Wings - dimensional drawings

Single washbasin left 1400 mm wide  
Washbasin height corresponds to the height of the Stoneplus washbasin

Single washbasin right 1400 mm wide  
Washbasin height corresponds to the height of the Stoneplus washbasin



## electrical connections for mirror cabinets



**LEGEND**  
S = STONEPLUS washbasin  
G = Glass washbasin

**Washing stands without anchoring brackets have to be fixed on the wall and on the furniture-side with silicon!**

**STONEPLUS:**

The water temperature must not exceed 55° C / 131° F. Hair tinting lotions have to be removed in a few seconds, so that staining can be avoided.

**Modifications:**

Technical modifications (+/- 5mm) and flatness modifications (DIN 18202) are subject of the usual material-specific modifications for construction materials, based on DIN 18202.