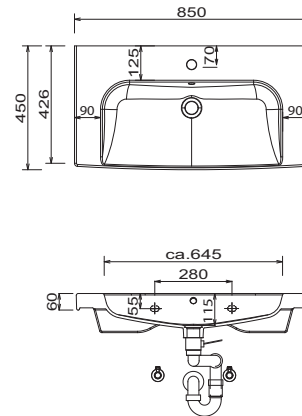
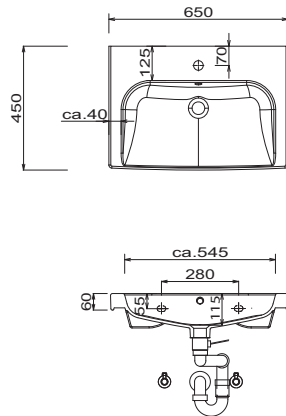


# EASY LINE kera.home - dimensional drawings

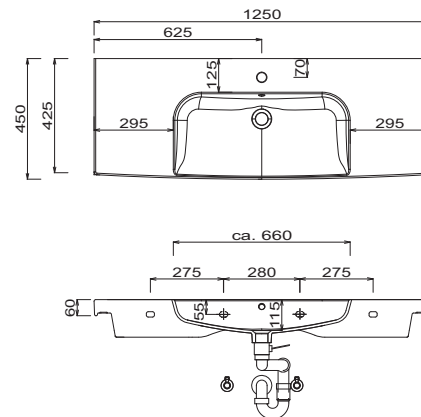
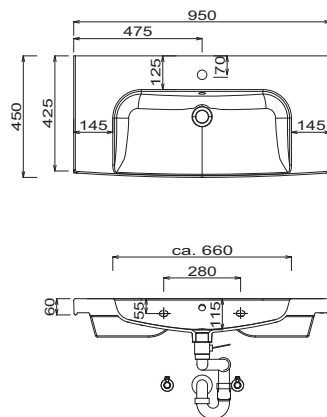
WTK 7065 1

WTK 7085 1



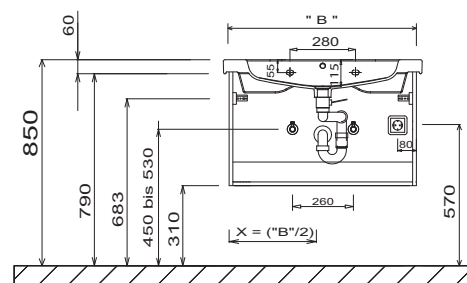
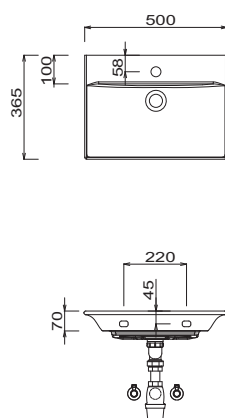
WTK 7095 1

WTK 7125 1



SET KH50 1

Single washbasin



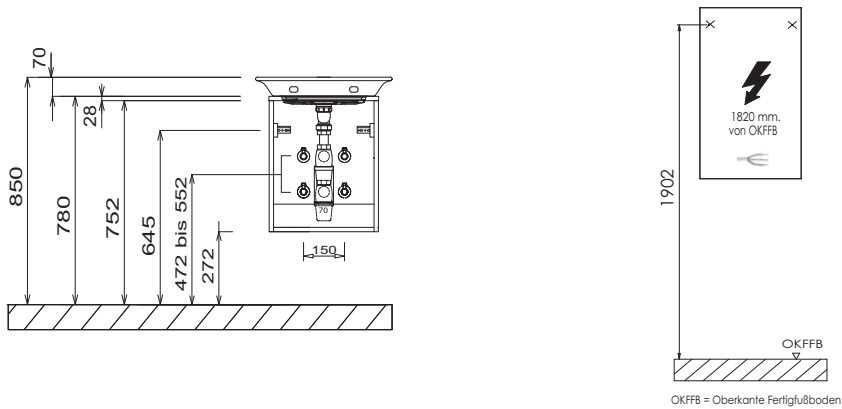
**LEGEND**  
 B = Width of Washbasin base units  
 X = Position wastewater connection

For washing stands with fixing screws, the dimensions for boring must be drawn in on-site after the washing stand has been laid on the floor unit.  
**Washing stands without anchoring brackets have to be fixed on the wall and on the furniture-side with silicon!**  
 Modifications:  
 Technical modifications (+/- 5mm) and flatness modifications (DIN 18202) are subject of the usual material-specific modifications for construction materials, based on DIN 18202.

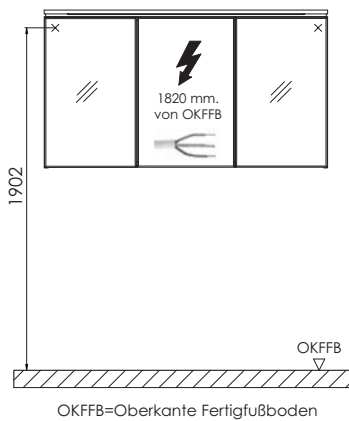
# EASY LINE nera.home - dimensional drawings

GUEST BATHROOM

Mirror 400 mm



electrical connections for mirror cabinets



For washing stands with fixing screws, the dimensions for boring must be drawn in on-site after the washing stand has been laid on the floor unit.

**Washing stands without anchoring brackets have to be fixed on the wall and on the furniture-side with silicon!**

Modifications:

Technical modifications (+/- 5mm) and flatness modifications (DIN 18202) are subject of the usual material-specific modifications for construction materials, based on DIN 18202.

## LEGEND

B = Width of Washbasin base units  
X = Position wastewater connection